


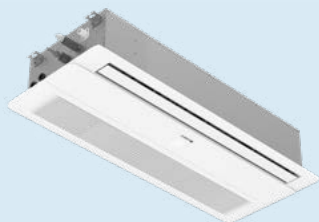

# TOSOT

## SUBMITTAL DATA

TM12D6OCI  
12000 BTU/H One Way Cassette Heat Pump System

Job Name	Location	Date
Purchaser	Engineer	
Submitted to	For	
Unit Designation	Schedule No.	

 YBE1FB5F	 TM12D6OCI	 XE72-44/E
---	--	--

### GENERAL FEATURES

- High Efficiency DC Inverter Technology
- Compact and Quiet Design
- Multiple Fan Speeds
- Swing Louver Control
- Internal Condensate Drain Pump W/ Sentry Float Switch
- Wireless Remote with LCD Display Included
- XE72-44/E Wired Controller Included
- Low Ambient Cooling and Heating
- (Indoor and Outdoor) Copper Tube / Aluminum Fin
- Blue Colored Fin - 500 Hrs Salt Spray Tested
- New R32 Refrigerant with Refrigerant Sensor

## SPECIFICATIONS, FEATURES & FUNCTION SUMMARY

INDOOR MODEL			TM12D6OCI		
System Type			HEAT PUMP		
Outdoor Model		VIR12HP230V1R32AO	ENV12HP230V1R32AO	SAP12HP230V1R32AO	
SYSTEM PERFORMANCE					
Cooling	Min - Max	Btu/h	900 - 14,100	900 - 14,100	900 - 14,100
	Capacity @95°F	Btu/h	12,000	12,000	12,000
	Min - Max	Btu/h	900 - 15,500	900 - 15,500	900 - 15,500
Heating	Capacity @47°F	Btu/h	12,000	12,000	12,000
	Capacity @17°F	Btu/h	7,500	7,500	7,500
	Capacity Max @5°F	Btu/h	10,000	10,000	10,000
SEER2			21.5	21.5	21.5
EER2			12.3	12.3	12.3
HSPF2			9.5	9.5	9.5
COP @5°F			1.90	1.90	1.90
Cooling Temperature Range		°F	-20 - 122		
Heating Temperature Range		°F	-22 - 86		
Refrigerant Type			R32		
INDOOR UNIT			TM12D6OCI		
Air flow (Min-Max)		CFM	230 - 353		
Sound Pressure Level (Min - Max)		dB(A)	34 - 41		
Dehumidification		pt/hr	2.96		
External Dimensions (L x D x H)		in	38-55/64 x 15-5/32 x 7-1/64		
Package Dimension (L x W x H)		in	51-29/64 x 19-23/32 x 12-13/64		
Net Weight		lbs	41.9		
Gross Weight		lbs	57.3		
CASSETTE GRILLE (REQUIRED)			TD01		
Grille Dimension (L x D x H)		in	47-1/4 x 18-7/64 x 2-11/64		
Package Dimension (L x W x H)		in	49-13/16 x 21-1/8 x 4-25/32		
Weight (Net / Gross)		lbs	9.26 / 13.23		
OUTDOOR UNIT		VIR12HP230V1R32AO	ENV12HP230V1R32AO	SAP12HP230V1R32AO	
Sound Pressure Level		dB(A)	52	52	55
External Dimensions (L x D x H)		in	31-37/64 x 13-25/32 x 21-27/32	31 37/64 x 13 25/32 x 21 27/32	34-3/8 x 14-51/64 x 21-27/32
Package Dimension (L x W x H)		in	34-21/64 x 15-43/64 x 24-13/32	34 21/64 x 15 43/64 x 24 13/32	37-7/16 x 16-31/32 x 24-13/32
Net Weight		lbs	67.3	70.6	78.3
Gross Weight		lbs	72.8	76.1	84.9
REFRIGERANT PIPING					
Refrigerant Charge - R410A		oz	28.2	28.2	47.6
Additional Charge		oz/ft	0.2	0.2	0.4
Line Set Sized by Indoor Unit (Liquid - Gas)		in	1/4 - 3/8		
Line Set Size (Liquid - Gas) - Flared Connections		in	1/4 - 1/2	1/4 - 1/2	1/4 - 1/2
Pre-Charge Length		ft	25		
Pipe Length (Min - Max)		ft	10 - 66	10 - 66	10 - 131
Max. Pipe Elevation		ft	40	40	82
ELECTRICAL					
Power Supply			208-230V / 1Ph / 60Hz (Powered by the Outdoor Unit)		
Voltage Range (Min - Max)		VAC	187 - 253		
Rated Current - Cooling		A	6.64	6.64	5.9
Rated Current - Heating		A	6.41	6.41	7.8
MCA		A	10	10	11
MOCP		A	15	15	15
Suggested Breaker Size		A	10	10	15
Main Power Wire Size		AWG	Per Local Code		
Interconnecting Wire Size		AWG	14 / 4		

## FEATURES & FUNCTIONS SUMMARY

### SYSTEM FEATURES

Inverter Type	G20 with Field Oriented control (FOC)
Ultra Low Frequency Torque Control	Yes
Power Factor Correction	Yes
Compressor Type - Inverter	High Efficiency Rotary
Basepan With Electric Heater	Yes
Indoor & Outdoor Fin Coating (Blue Fin)	Yes
Intelligent Defrosting	Yes
Intelligent Preheating	Yes
Low Voltage Startup	Yes
Memory/Power Failure Recovery	Yes
Self Diagnosis	Yes
Wired Controller Interface	Yes
WiFi Included	No
Indoor Fan Type	Centrifugal
Multi Fan Speeds	4 Speeds
Indoor Unit Display	Yes
Auxiliary Electrical Heater	No
Ventilation (Outdoor Air)	Yes

### REMOTE CONTROLLER FUNCTIONS

Auto Mode	Yes
Auto Fan	Yes
Auto Swing (Horizontal Auto Swing)	No
Auto Swing - 180° (Vertical Auto Swing)	Yes
Clock	Yes
Dry Mode	Yes
Dry Anti-Mildew (X-Fan) Mode	Yes
Energy Saving Mode	Yes
Dirty Filter Alert	No
Fan Speed Control (7 Speeds)	Yes
I Feel Function	Yes
Privacy Lock	Yes
Quiet Mode	Yes
Room Temperature Display	No
Sleep Mode	Yes
3 Sleep Mode Options	Yes
Timer Mode	Yes
Turbo Mode	Yes
Display On/Off Control	Yes
Freeze Guard Mode	Yes
Power Failure Mode	Yes

### NOTE:

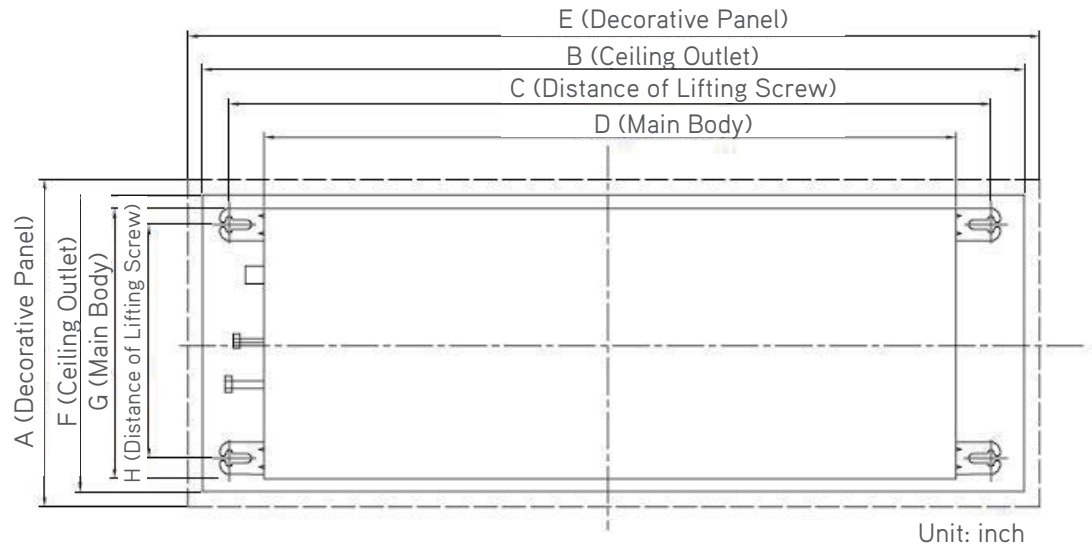
Please check the Multi-zone submittals for Non-Ducted or Mixed Performance table.

## DIMENSIONS

### INDOOR UNIT

Unit: inch

TM12D6OCI	
DIMENSIONS	
A	47-1/4
B	43-57/64
C	40-7/16
D	38-55/64
E	18-7/64
F	16-11/32
G	15-5/32
H	10-9/32



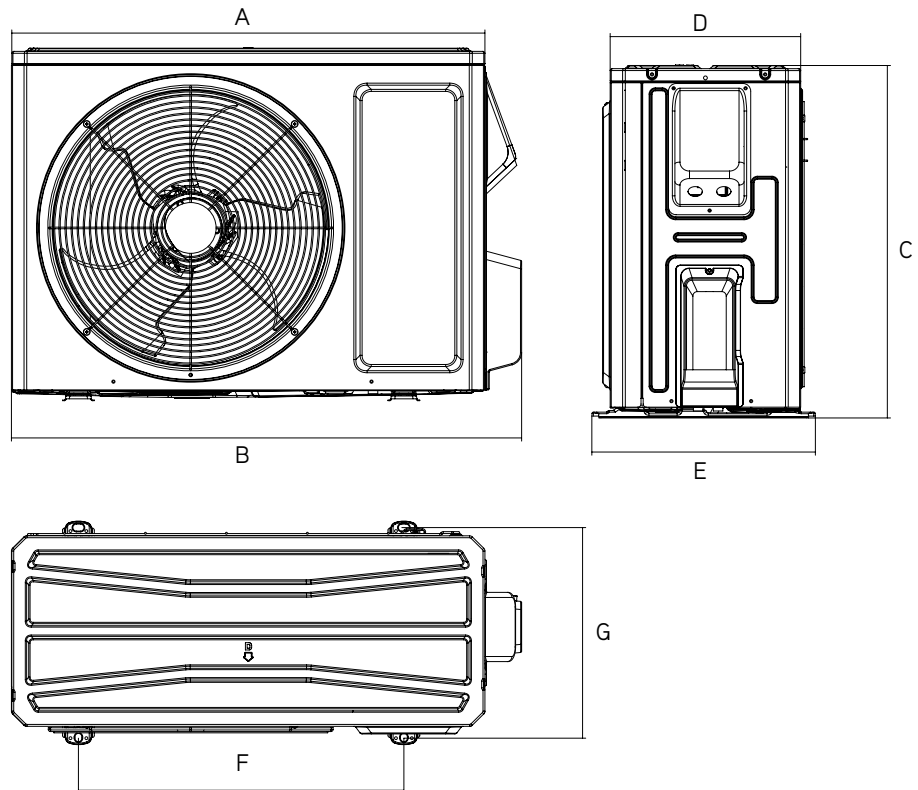
### OUTDOOR UNIT

Unit: inch

VIR12HP230V1R32AO	
DIMENSIONS	
A	29 21/64
B	31 37/64
C	21 27/32
D	11 13/16
E	13 25/32
F	20 5/32
G	13 5/64

ENV12HP230V1R32AO	
DIMENSIONS	
A	29 21/64
B	31 37/64
C	21 27/32
D	11 13/16
E	13 25/32
F	20 5/32
G	13 5/64

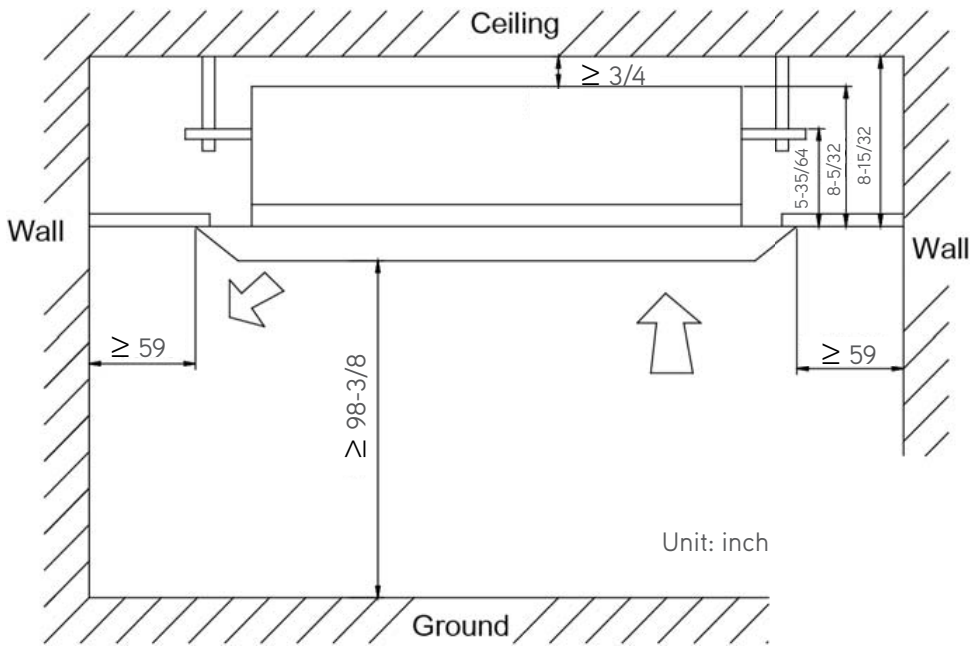
SAP12HP230V1R32AO	
DIMENSIONS	
A	31 11/16
B	34 3/8
C	21 27/32
D	13 1/64
E	14 51/64
F	20 25/32
G	13 21/32



## CLEARANCES

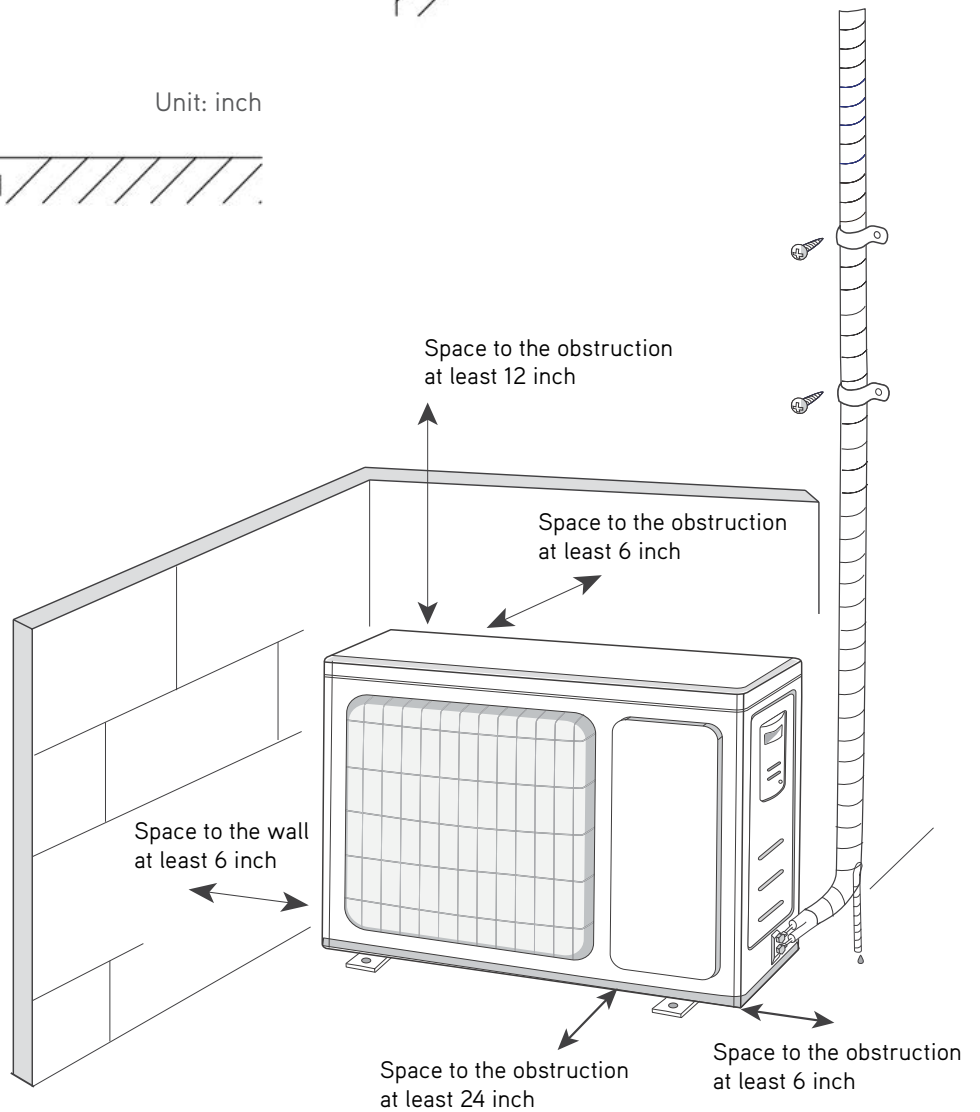
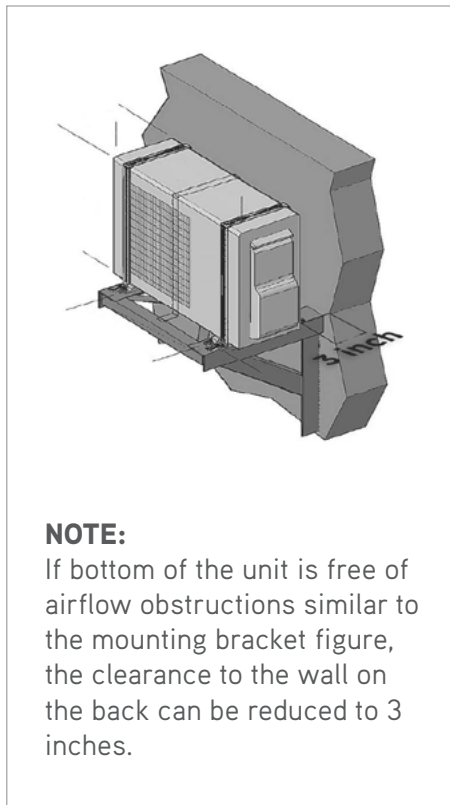
### INDOOR UNIT

Minimum clearance



### OUTDOOR UNIT

Minimum clearance



Specifications are subject to change without notice. Manufacturer reserves the right to discontinue or modify specifications or designs without notice or without incurring obligations. All Rights reserved.

TOSOTCOMFORT.COM