



**SPLIT TYPE**



**SUBMITTAL**

**Model:  
TM42HMO**



Model		TM42HMO	
Power supply	Rated Voltage	V~	208/230
	Rated Frequency	Hz	60
	Phases	-	1
Cooling capacity		Btu/h	36000
Heating capacity		Btu/h	40000
Cooling Power Input		W	3000
Heating Power Input		W	3020
Cooling Current Input		A	13.31
Heating Current Input		A	13.40
Rated Power Input		W	4600/5200
Rated Current		A	20.41/22.61
EER		(Btu/h)/W	12.00
COP		(Btu/h)/W	13.25
SEER		-	21.00(SEER) 21.00(SEER2)
HSPF		-	10.00(HSPF) 10.00(HSPF2)
Outdoor Unit	Compressor Trademark	-	ZHUHAI LANDA COMPRESSOR CO., LTD.
	Compressor Model	-	QXFS-D280zX070C
	Compressor Refrigerant Oil Type	-	FW68DA or equivalent
	Compressor Type	-	Twin Rotary
	L.R.A	A	/
	Compressor Rated Load Amp (RLA)	A	18.4
	Compressor Power Input	W	2294
	Suggested Breakder Size	-	30
	Compressor Thermal Protector	-	KSD115°C HPC115/95U1
	Throttling Method	-	Electron expansion valve
Sound Pressure Level		dB(A)	63

**Job Name:**

**Schedule Reference:**

**Date:**

Specification are subject to change without notice.



Outdoor Unit	Cooling Operation Ambient Temperature Range	°F	-22~118
	Heating Operation Ambient Temperature Range	°F	-22~75.2
	Condenser Material	-	Aluminum Fin-copper Tube
	Condenser Pipe Diameter	mm	Φ7.94
	Rows-Fin Gap(mm)	mm	3-1.6
	Coil length (l) × height (H) × coil width (L)	mm	1066 × 792 × 57.1
	Fan Motor Speed (rpm)	rpm	cooling:860 heating:860
	Output of Fan Motor	W	130
	Fan Motor RLA	A	/
	Fan Motor Capacitor	-	/
	Air Flow Volume of Outdoor Unit	CFM	3413
	Fan Type-Piece	-	Axial-flow
	Fan Diameter	mm	Φ550-205
	Defrosting Method	-	Automatic Defrosting
	Climate Type	-	T1
	Isolation	-	I
	Moisture Protection	-	IPX4
	Permissible Excessive Operating Pressure for the Discharge Side	PSIG	550
	Permissible Excessive Operating Pressure for the Suction Side	PSIG	240
	Dimension (W × D × H)	inch	40 5/32 × 16 13/16 × 32 33/64
	Dimension of Package (L × W × H)	inch	42 29/32 × 19 29/64 × 34 1/4
	Dimension of Package(L × W × H)	inch	43 1/32 × 19 9/16 × 34 27/32
	Net Weight	lb	174.2
	Gross Weight	lb	189.6
	Refrigerant Charge	-	R410A
	Refrigerant Charge	oz	134.0
	Cross-sectional Area of Power Cable Conductor	sq in	0.008215(AWG10)
	Recommended Power Cable(Core)	N	3
	Connection Pipe Connection Method	-	Flare Connection
	Not Additional Gas Connection Pipe Length	ft	164.0
	Connection Pipe Gas Additional Charge	oz/ft.	0.2
	Outer Diameter of Liquid Pipe1(GREE Allocation)(Metric)	inch	1/4"
	Outer Diameter of Liquid Pipe2(GREE Allocation)(Metric)	inch	1/4"
	Outer Diameter of Liquid Pipe3(GREE Allocation)(Metric)	inch	1/4"
	Outer Diameter of Liquid Pipe4(GREE Allocation)(Metric)	inch	1/4"
	Outer Diameter of Liquid Pipe5(GREE Allocation)(Metric)	inch	1/4"
	Outer Diameter of Gas Pipe1(GREE Allocation)(Metric)	inch	3/8"
	Outer Diameter of Gas Pipe2(GREE Allocation)(Metric)	inch	3/8"
	Outer Diameter of Liquid Pipe3(GREE Allocation)(Metric)	inch	3/8"
	Outer Diameter of Liquid Pipe4(GREE Allocation)(Metric)	inch	3/8"
Outer Diameter of Liquid Pipe5(GREE Allocation)(Metric)	inch	3/8"	
Connection Pipe Max. Height Distance(indoor and indoor)	ft	82.0	
Connection Pipe Max. Height Distance(indoor and outdoor and indoor up)	ft	82.0	
Connection Pipe Max. Height Distance(indoor and outdoor and outdoor up)	ft	82.0	
Max. equivalent connection pipe length(outdoor to last indoor)	ft	82.0	
Connection Pipe Max. Length Distance(total length)	ft	328.1	

The above data is subject to change without notice; please refer to the nameplate of the unit.

**Job Name:**

**Schedule Reference:**

**Date:**

Specification are subject to change without notice.



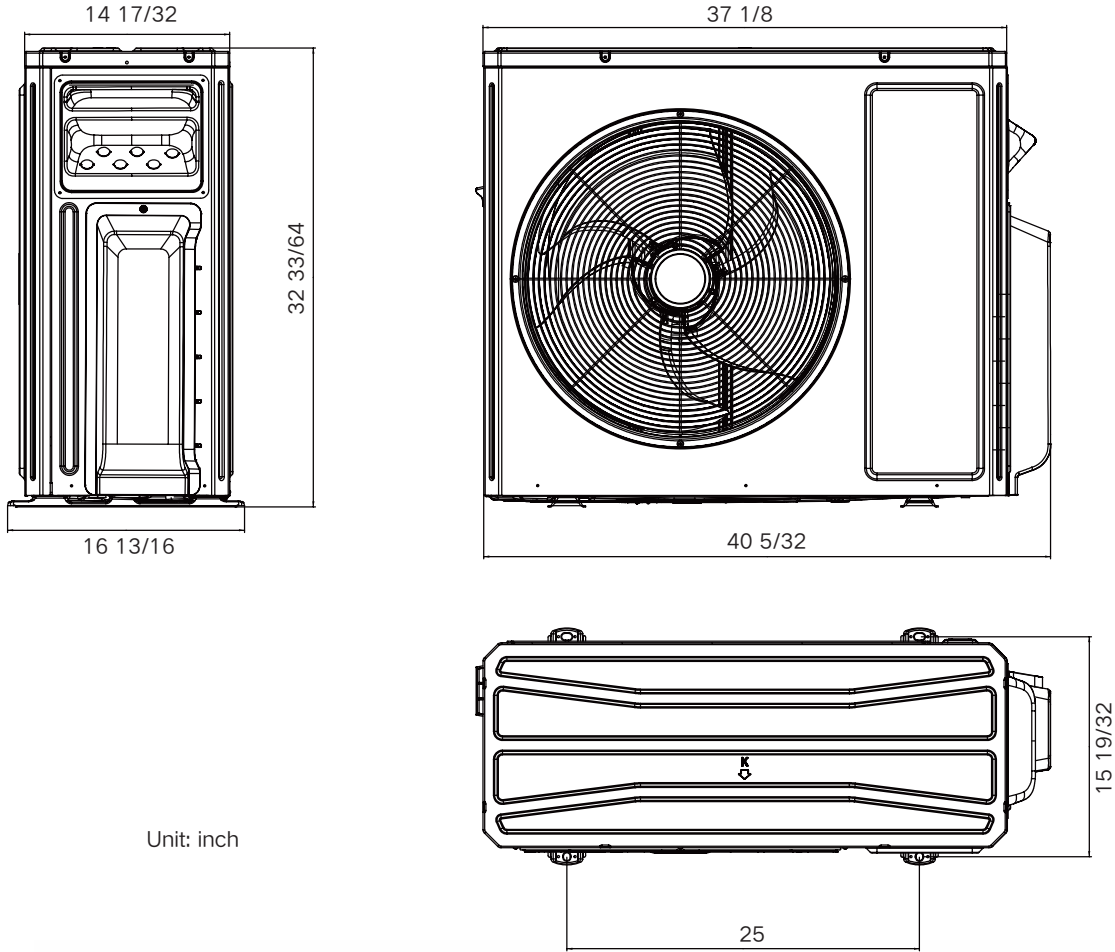
MODEL NUMBER	POSSIBLE COMBINATIONS	COOLING CAPACITY (Btu/h)					HEATING CAPACITY (Btu/h)				
		ZONE1	ZONE2	ZONE3	ZONE4	ZONE5	ZONE1	ZONE2	ZONE3	ZONE4	ZONE5
TM42HMO	9k+12k	9,000	12,000				9,000	12,000			
TM42HMO	9k+18k	9,000	18,000				9,000	18,000			
TM42HMO	9k+24k	9,000	24,000				9,000	24,000			
TM42HMO	12k+12k	12,000	12,000				12,000	12,000			
TM42HMO	12k+18k	12,000	18,000				12,000	18,000			
TM42HMO	12k+24k	12,000	24,000				12,000	24,000			
TM42HMO	18k+18k	18,000	18,000				18,000	18,000			
TM42HMO	18k+24k	15,429	20,571				17,143	22,857			
TM42HMO	24k+24k	18,000	19,429				18,000	18,000			
TM42HMO	9k+9k+9k	9,000	9,000	9,000			9,000	9,000	9,000		
TM42HMO	9k+9k+12k	9,000	9,000	12,000			9,000	9,000	12,000		
TM42HMO	9k+9k+18k	9,000	9,000	18,000			9,000	9,000	18,000		
TM42HMO	9k+9k+24k	7,714	7,714	20,571			8,571	8,571	22,857		
TM42HMO	9k+12k+12k	9,000	12,000	12,000			9,000	12,000	12,000		
TM42HMO	9k+12k+18k	8,308	11,077	16,615			9,000	12,000	18,000		
TM42HMO	9k+12k+24k	7,200	9,600	19,200			8,000	10,667	21,333		
TM42HMO	9k+18k+18k	7,200	14,400	14,400			8,000	16,000	16,000		
TM42HMO	9k+18k+24k	6,353	12,706	16,941			7,059	14,118	18,824		
TM42HMO	9k+24k+24k	5,684	15,158	15,158			6,316	16,842	16,842		
TM42HMO	12k+12k+12k	12,000	12,000	12,000			12,000	12,000	12,000		
TM42HMO	12k+12k+18k	10,286	10,286	15,429			11,429	11,429	17,143		
TM42HMO	12k+12k+24k	9,000	9,000	18,000			10,000	10,000	20,000		
TM42HMO	12k+18k+24k	8,000	12,000	16,000			8,889	13,333	17,778		
TM42HMO	12k+24k+24k	7,200	14,400	14,400			8,000	16,000	16,000		
TM42HMO	18k+18k+18k	12,000	12,000	12,000			13,333	13,333	13,333		
TM42HMO	18k+18k+24k	10,800	10,800	14,400			12,000	12,000	16,000		
TM42HMO	9k+9k+9k+9k	9,000	9,000	9,000	9,000		9,000	9,000	9,000	9,000	
TM42HMO	9k+9k+9k+12k	8,308	8,308	8,308	11,077		9,000	9,000	9,000	12,000	
TM42HMO	9k+9k+9k+18k	7,200	7,200	7,200	14,400		8,000	8,000	8,000	16,000	
TM42HMO	9k+9k+9k+24k	6,353	6,353	6,353	16,941		7,059	7,059	7,059	18,824	
TM42HMO	9k+9k+12k+12k	7,714	7,714	10,286	10,286		8,571	8,571	11,429	11,429	
TM42HMO	9k+9k+12k+18k	6,750	6,750	9,000	13,500		7,500	7,500	10,000	15,000	
TM42HMO	9k+9k+12k+24k	6,000	6,000	8,000	16,000		6,667	6,667	8,889	17,778	
TM42HMO	9k+9k+18k+18k	6,000	6,000	12,000	12,000		6,667	6,667	13,333	13,333	
TM42HMO	9k+9k+18k+24k	5,400	5,400	10,800	14,400		6,000	6,000	12,000	16,000	
TM42HMO	9k+12k+12k+12k	7,200	9,600	9,600	9,600		8,000	10,667	10,667	10,667	
TM42HMO	9k+12k+12k+18k	6,353	8,471	8,471	12,706		7,059	9,412	9,412	14,118	
TM42HMO	9k+12k+12k+24k	5,684	7,579	7,579	15,158		6,316	8,421	8,421	16,842	
TM42HMO	9k+12k+18k+18k	5,684	7,579	11,368	11,368		6,316	8,421	12,632	12,632	
TM42HMO	9k+12k+18k+24k	5,143	6,857	10,286	13,714		5,714	7,619	11,429	15,238	
TM42HMO	9k+18k+18k+18k	5,143	10,286	10,286	10,286		5,714	11,429	11,429	11,429	
TM42HMO	12k+12k+12k+12k	9,000	9,000	9,000	9,000		10,000	10,000	10,000	10,000	



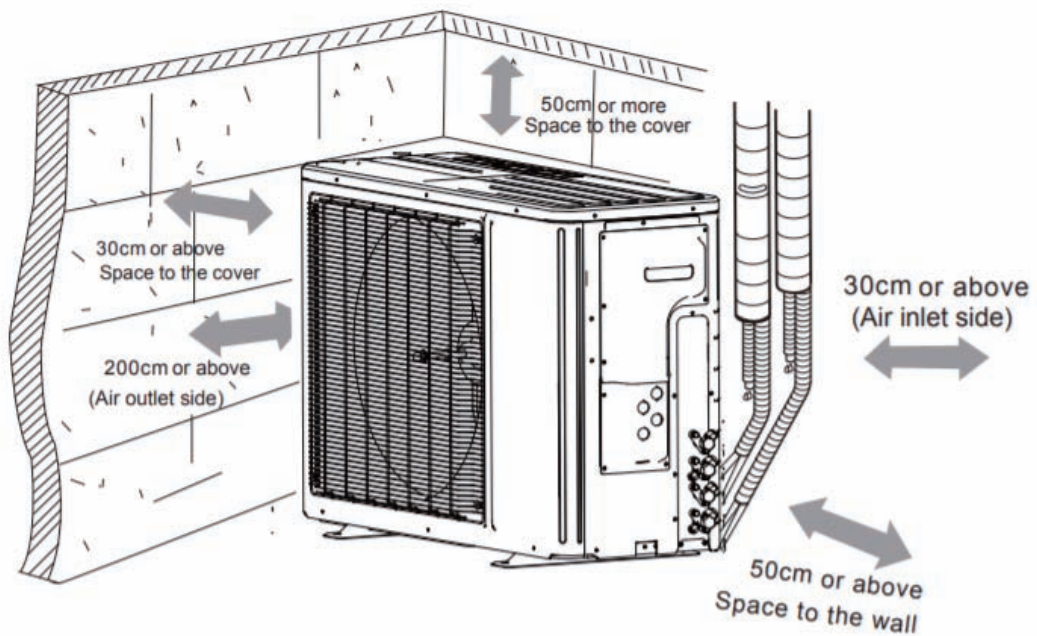
MODEL NUMBER	POSSIBLE COMBINATIONS	COOLING CAPACITY (Btu/h)					HEATING CAPACITY (Btu/h)				
		ZONE1	ZONE2	ZONE3	ZONE4	ZONE5	ZONE1	ZONE2	ZONE3	ZONE4	ZONE5
TM42HMO	12k+12k+12k+18k	8,000	8,000	8,000	12,000		8,889	8,889	8,889	13,333	
TM42HMO	12k+12k+12k+24k	7,200	7,200	7,200	14,400		8,000	8,000	8,000	16,000	
TM42HMO	12k+12k+18k+18k	7,200	7,200	10,800	10,800		8,000	8,000	12,000	12,000	
TM42HMO	9k+9k+9k+9k+9k	7,200	7,200	7,200	7,200	7,200	8,000	8,000	8,000	8,000	8,000
TM42HMO	9k+9k+9k+9k+12k	6,750	6,750	6,750	6,750	9,000	7,500	7,500	7,500	7,500	10,000
TM42HMO	9k+9k+9k+9k+18k	6,000	6,000	6,000	6,000	12,000	6,667	6,667	6,667	6,667	13,333
TM42HMO	9k+9k+9k+9k+24k	5,400	5,400	5,400	5,400	14,400	6,000	6,000	6,000	6,000	12,000
TM42HMO	9k+9k+9k+12k+12k	6,353	6,353	6,353	8,471	8,471	7,059	7,059	7,059	9,412	9,412
TM42HMO	9k+9k+9k+12k+18k	5,684	5,684	5,684	7,579	11,368	6,316	6,316	6,316	8,421	12,632
TM42HMO	9k+9k+9k+12k+24k	5,143	5,143	5,143	6,857	13,714	5,714	5,714	5,714	7,619	15,238
TM42HMO	9k+9k+9k+18k+18k	5,143	5,143	5,143	10,286	10,286	5,714	5,714	5,714	11,429	11,429
TM42HMO	9k+9k+12k+12k+12k	6,000	6,000	8,000	8,000	8,000	6,667	6,667	8,889	8,889	8,889
TM42HMO	9k+9k+12k+12k+18k	5,400	5,400	7,200	7,200	10,800	6,000	6,000	8,000	8,000	12,000
TM42HMO	9k+12k+12k+12k+12k	5,684	7,579	7,579	7,579	7,579	6,316	8,421	8,421	8,421	8,421
TM42HMO	9k+12k+12k+12k+18k	5,143	6,857	6,857	6,857	10,286	5,714	7,619	7,619	7,619	11,429
TM42HMO	12k+12k+12k+12k+12k	7,200	7,200	7,200	7,200	7,200	8,000	8,000	8,000	8,000	8,000



## Outline and Physical Dimensions of TM42HMO.



Unit: inch



TOSOT COMFORT INC.

E-mail: [HI@tosotcomfort.com](mailto:HI@tosotcomfort.com) [www.tosotcomfort.com](http://www.tosotcomfort.com)