



SPLIT TYPE



SUBMITTAL

**Model:
TM24HMO**



Model		TM24HMO	
Power supply	Rated Voltage	V~	208/230
	Rated Frequency	Hz	60
	Phases	-	1
Cooling capacity		Btu/h	23200
Heating capacity		Btu/h	24000
Cooling Power Input		W	1860
Heating Power Input		W	1800
Cooling Current Input		A	8.00
Heating Current Input		A	7.83
Rated Power Input		W	3200/3400
Rated Current		A	14.2/15
EER		(Btu/h)/W	12.49
COP		(Btu/h)/W	13.34
SEER		-	21.00(SEER) 21.00(SEER2)
HSPF		-	10.00(HSPF) 10.00(HSPF2)
Outdoor Unit	Compressor Trademark	-	ZHUHAI LANDA COMPRESSOR CO., LTD.
	Compressor Model	-	QXFS-B212zX070
	Compressor Refrigerant Oil Type	-	FW68DA or equivalent
	Compressor Type	-	Twin Rotary
	L.R.A	A	/
	Compressor Rated Load Amp (RLA)	A	12.1
	Compressor Power Input	W	1887
	Suggested Breaker Size	-	20
	Compressor Thermal Protector	-	KSD115°C HPC115/95U1
	Throttling Method	-	Electron expansion valve
Sound Pressure Level		dB(A)	58

Job Name:

Schedule Reference:

Date:

Specification are subject to change without notice.



Outdoor Unit	Cooling Operation Ambient Temperature Range	°F	-22~118
	Heating Operation Ambient Temperature Range	°F	-22~75.2
	Condenser Material	-	Aluminum Fin-copper Tube
	Condenser Pipe Diameter	mm	Φ7.94
	Rows-Fin Gap(mm)	mm	2-1.4
	Coil length (l) × height (H) × coil width (L)	mm	851 × 616 × 38.1
	Fan Motor Speed (rpm)	rpm	cooling:850 heating:850
	Output of Fan Motor	W	60
	Fan Motor RLA	A	/
	Fan Motor Capacitor	-	/
	Air Flow Volume of Outdoor Unit	CFM	2236
	Fan Type-Piece	-	Axial-flow
	Fan Diameter	mm	Φ520-154
	Defrosting Method	-	Automatic Defrosting
	Climate Type	-	T1
	Isolation	-	I
	Moisture Protection	-	IPX4
	Permissible Excessive Operating Pressure for the Discharge Side	PSIG	550
	Permissible Excessive Operating Pressure for the Suction Side	PSIG	240
	Dimension (W × D × H)	inch	37 61/64 × 15 53/64 × 25 63/64
	Dimension of Package (L × W × H)	inch	40 33/64 × 17 53/64 × 28 5/32
	Dimension of Package(L × W × H)	inch	40 5/8 × 17 61/64 × 29 1/64
	Net Weight	lb	114.7
	Gross Weight	lb	124.6
	Refrigerant Charge	-	R410A
	Refrigerant Charge	oz	84.7
	Cross-sectional Area of Power Cable Conductor	sq in	0.0051(AWG12)
	Recommended Power Cable(Core)	N	3
	Connection Pipe Connection Method	-	Flare Connection
	Not Additional Gas Connection Pipe Length	ft	131.2
	Connection Pipe Gas Additional Charge	oz/ft.	0.2
	Outer Diameter of Liquid Pipe1 (GREE Allocation)(Metric)	inch	1/4"
	Outer Diameter of Liquid Pipe2(GREE Allocation)(Metric)	inch	1/4"
	Outer Diameter of Liquid Pipe3(GREE Allocation)(Metric)	inch	1/4"
	Outer Diameter of Gas Pipe1 (GREE Allocation)(Metric)	inch	3/8"
Outer Diameter of Gas Pipe2(GREE Allocation)(Metric)	inch	3/8"	
Outer Diameter of Liquid Pipe3(GREE Allocation)(Metric)	inch	3/8"	
Connection Pipe Max. Height Distance(indoor and indoor)	ft	49.212	
Connection Pipe Max. Height Distance(indoor and outdoor and indoor up)	ft	49.212	
Connection Pipe Max. Height Distance(indoor and outdoor and outdoor up)	ft	49.212	
Max. equivalent connection pipe length(outdoor to last indoor)	ft	65.6	
Connection Pipe Max. Length Distance(total length)	ft	196.8	

The above data is subject to change without notice; please refer to the nameplate of the unit.

Job Name:

Schedule Reference:

Date:

Specification are subject to change without notice.

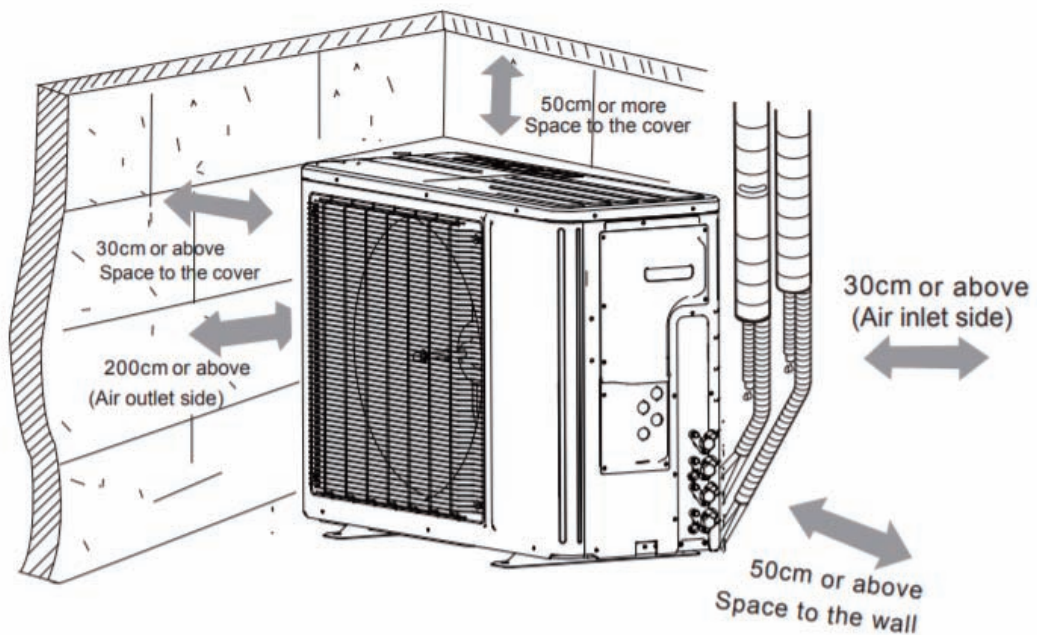
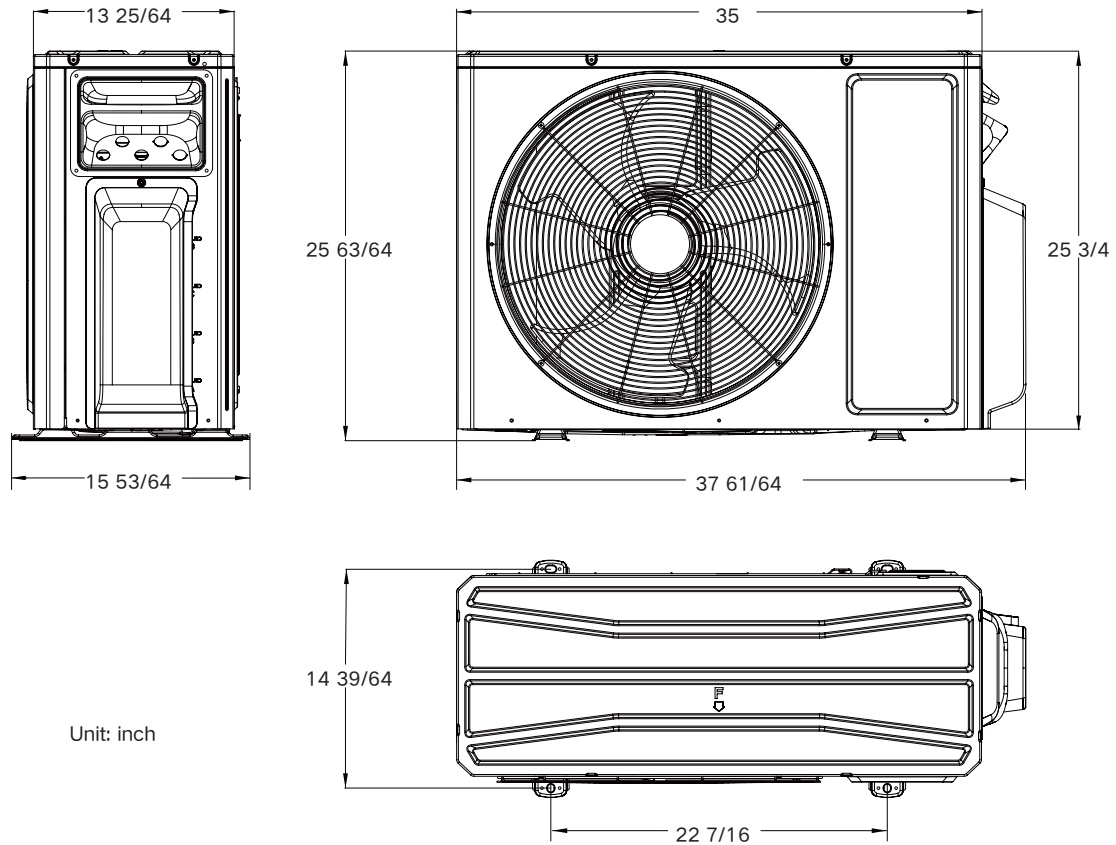


TOSOT
WWW.TOSOTCOMFORT.COM

MODEL NUMBER	POSSIBLE COMBINATIONS	COOLING CAPACITY (Btu/h)					HEATING CAPACITY (Btu/h)				
		ZONE1	ZONE2	ZONE3	ZONE4	ZONE5	ZONE1	ZONE2	ZONE3	ZONE4	ZONE5
TM24HMO	9k+9k	9,000	9,000				9,500	9,500			
TM24HMO	9k+12k	9,000	12,000				9,429	12,571			
TM24HMO	9k+18k	7,773	15,467				8,000	16,000			
TM24HMO	12k+12k	11,600	11,600				12,000	12,000			
TM24HMO	12k+18k	9,280	13,920				9,600	14,400			
TM24HMO	18k+18k	11,600	11,600				12,000	12,000			
TM24HMO	9k+9k+9k	7,733	7,733	7,733			8,000	8,000	8,000		
TM24HMO	9k+9k+12k	6,960	6,960	6,960			7,200	7,200	9,600		
TM24HMO	9k+9k+18k	5,800	5,800	11,600			6,000	6,000	12,000		
TM24HMO	9k+12k+12k	6,327	8,436	8,436			6,546	8,727	8,727		
TM24HMO	12k+12k+12k	7,733	7,733	7,733			8,000	8,000	8,000		



Outline and Physical Dimensions of TM24HMO.



TOSOT COMFORT INC.

E-mail: HI@tosotcomfort.com www.tosotcomfort.com