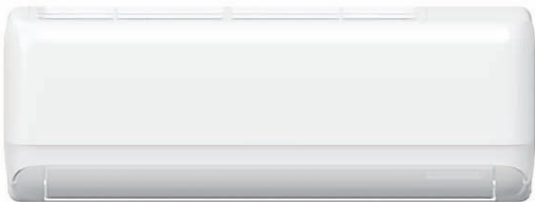




SPLIT TYPE

SUBMITTAL

Model: TWH24ATEXF-D3DNA3E



Model		TWH24ATEXF-D3DNA3E	
Power Supply	Rated Voltage	V~	208/230
	Rated Frequency	Hz	60
	Phases	-	1
Power Supply Mode		-	Outdoor
Cooling Capacity		Btu/h	22000
Heating Capacity		Btu/h	24000
Cooling Power Input		W	1896
Heating Power Input		W	2051
Cooling Current		A	8.5
Heating Current		A	9.5
Rated Input		W	2400
Rated Current		A	12
EER		(Btu/h)/W	11.6
COP		(Btu/h)/W	11.7
SEER		-	18(SEER) 18(SEER2)
HSPF		-	10(HSPF) 8.5(HSPF2)
Air Flow Volume		CFM	677/589/559/500/471/441/412
Dehumidifying Volume		Pint/h	5.28
Application Area		yd ²	28-41
Indoor Unit Model		TWH24ATEXF-D3DNA3EI	
Indoor Unit	Fan Type	-	Cross-flow
	Fan Diameter Length(D × L)	mm	Φ111.5 × 830
	Cooling Speed	r/min	1350/1200/1100/1000/950/900/850
	Heating Speed	r/min	1350/1200/1100/1000/950/900/850
	Fan Motor Power Output	W	45
	Fan Motor RLA	A	0.45
	Fan Motor Capacitor	μF	/
	Heater Power Input	W	/
	Evaporator Form	-	Aluminum Fin-copper Tube
	Evaporator Pipe Diameter	mm	Φ7
	Evaporator Row-fin Gap	mm	2-1.4
	Evaporator Coil Length (L × D × W)	mm	840 × 25.4 × 381
	Swing Motor Model	-	MP35CP
	Swing Motor Power Output	W	2.5
	Fuse Current	A	3.15
	Sound Pressure Level	dB (A)	Cooling: 51/47/45/42/40/38/36 Heating: 52/48/45/42/40/38/37
	Sound Power Level	dB (A)	Cooling: 61/57/55/52/50/48/46 Heating: 62/58/55/52/50/48/47
	Dimension (W × H × D)	inch	42 7/16 × 13 7/64 × 9 11/16
	Package Carton Dimension (L × W × H)	inch	44 13/32 × 15 63/64 × 12 23/32
	Package Dimension (L × W × H)	inch	44 39/64/32 × 16 19/64 × 13 7/64
	Net Weight	lb	33.1
	Gross Weight	lb	39.7

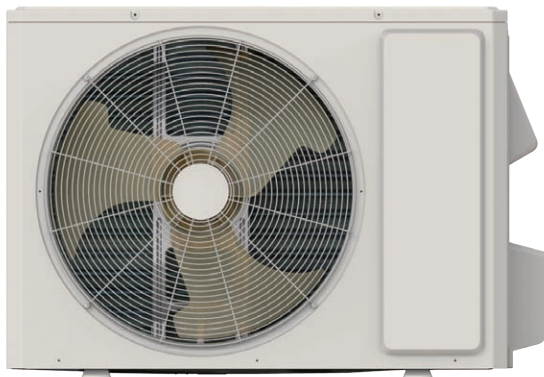
Job Name:

Schedule Reference:

Date:



Model: TWH24ATEXF-D3DNA3E



Outdoor Unit Model		TWH24ATEXF-D3DNA3EO
Outdoor Unit	Compressor Manufacturer	- ZHUHAI LANDA COMPRESSOR CO. LTD.
	Compressor Model	- FTz-SM151AXBD
	Compressor Oil	- FW68DA or equivalent
	Compressor Type	- Rotary
	Compressor LRA.	A 35.00
	Compressor RLA	A 10.39
	Compressor Power Input	W 1330
	Compressor Overload Protector	- HPC 115/95U1 KSD115°C
	Fan Type	- Axial-flow
	Fan Diameter	mm 520
	Fan Motor Speed	rpm 880
	Fan Motor Power Output	W 60
	Fan Motor RLA	A 0.73
	Fan Motor Capacitor	μF 3.5
	Outdoor Unit Air Flow Volume	CFM 1883
	Condenser Form	- Aluminum Fin-copper Tube
	Condenser Pipe Diameter	mm Φ7
	Condenser Rows-fin Gap	mm 2-1.4
	Condenser Coil Length (L × D × W)	mm 839 × 38.1 × 616
	Permissible Excessive Operating Pressure for the Discharge Side	MPa 4.3
	Permissible Excessive Operating Pressure for the Suction Side	MPa 2.5
	Maximum Allowable Pressure	MPa 4.3
	Set Temperature Range	°F 61~86
	Cooling Operation Ambient Temperature Range	°F -0.4~122
	Heating Operation Ambient Temperature Range	°F 19.4~75.2
	Throttling Method	- Electron expansion valve
	Defrosting Method	- Automatic Defrosting
	Climate Type	- T1
	Isolation	- I
	Moisture Protection	- IPX4
	Sound Pressure Level	dB (A) 57
	Sound Power Level	dB (A) 67
Dimension (W × H × D)	inch 37 23/32 × 25 63/64 × 15 53/64	
Dimension of Carton Box (L × W × H)	inch 40 33/64 × 17 53/64 × 28 5/32	
Dimension of Package(L × W × H)	inch 40 5/8 × 17 61/64 × 29 1/64	
Net Weight	lb 97	
Gross Weight	lb 106.9	
Refrigerant	- R410A	
Refrigerant Charge	oz 52.9	
Connection Pipe	Length	ft 24.6
	Gas Additional Charge	oz/ft 0.5
	Outer Diameter Liquid Pipe	inch 1/4
	Outer Diameter Gas Pipe	inch 5/8
	Max. Height Distance	ft 32.8
	Max. Length Distance	ft 82.0

Note: The connection pipe applies metric diameter.

The above data is subject to change without notice. Please refer to the nameplate of the unit.

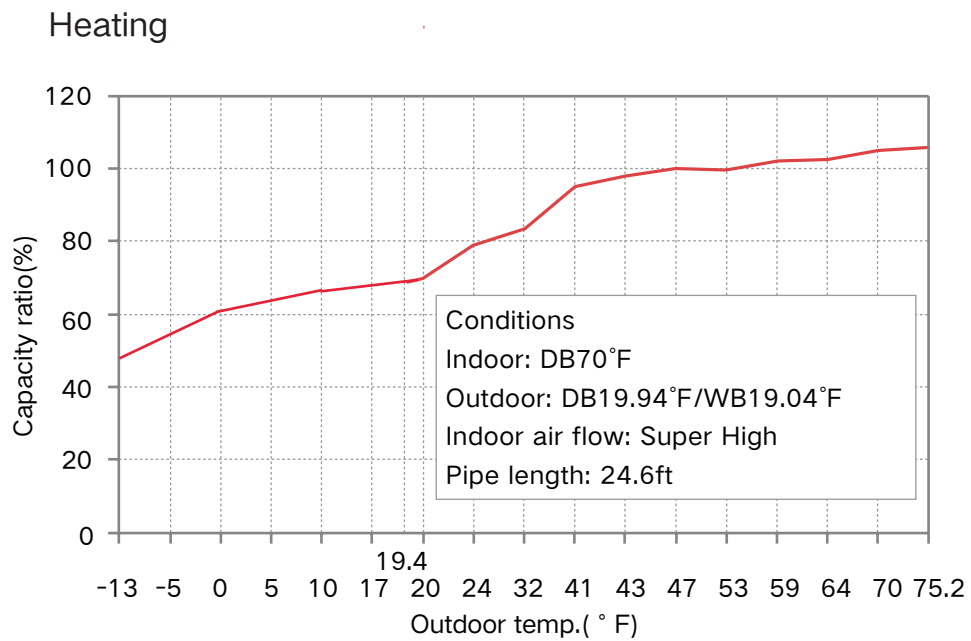
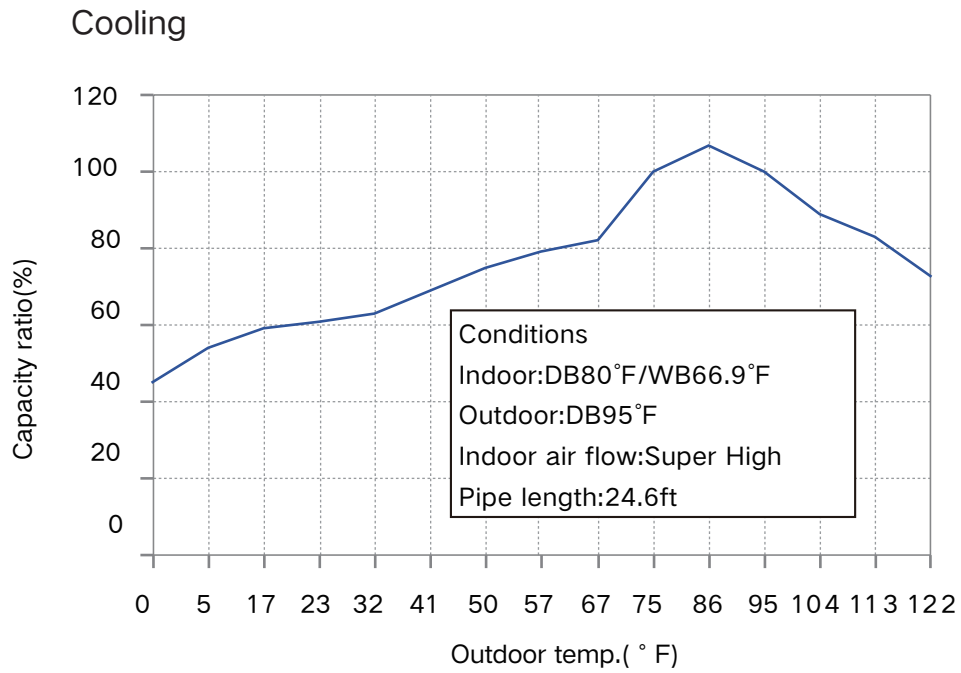
Job Name:

Schedule Reference:

Date:

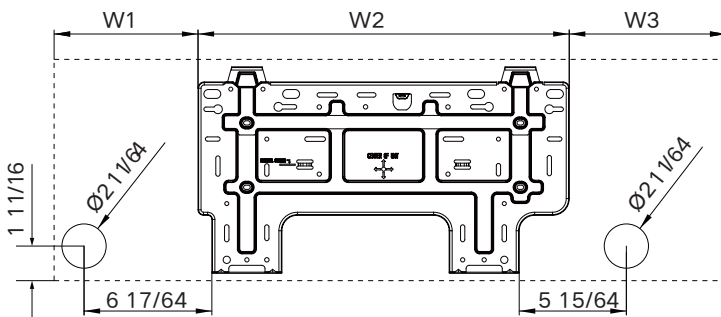
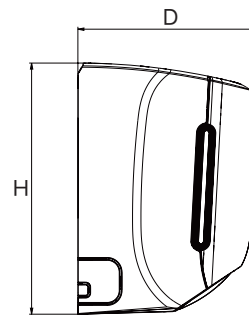
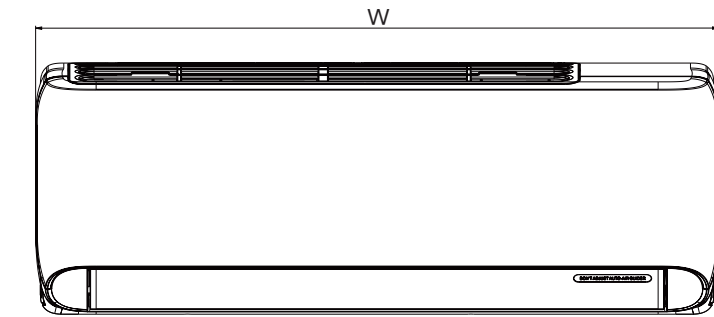


Capacity Variation Ratio According to Temperature



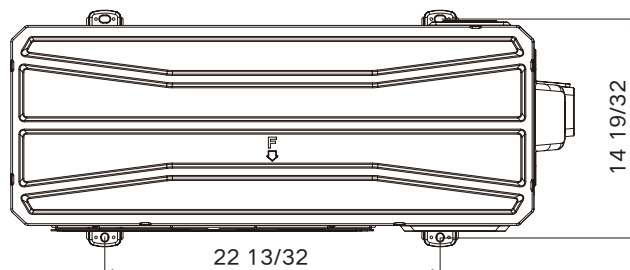
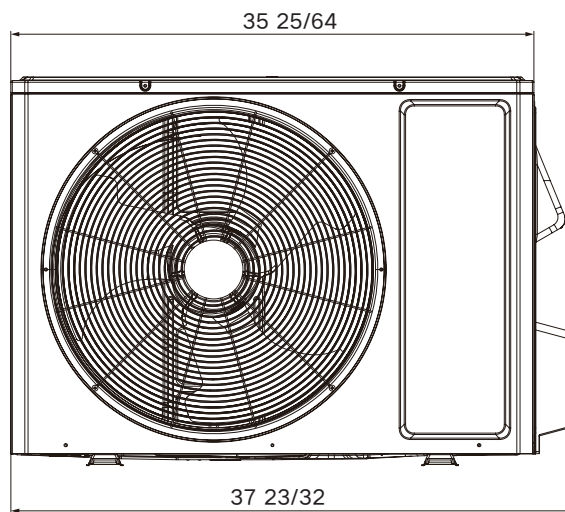
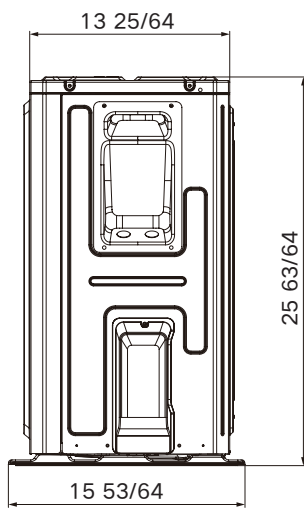


Outline Dimension Diagram



Unit: inch

Model	W	H	D
ATE	42 7/16	13 7/64	9 11/16
	$W1$	$W2$	$W3$
	10 3/16	22 3/32	10 5/32



Unit:inch



Installation Dimension Diagram

