
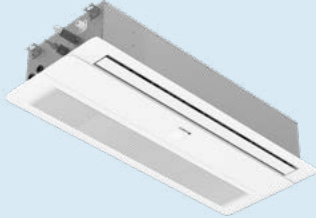



TQSDT

SUBMITTAL DATA

TM18D6OCI
18000 BTU/H One Way Cassette Heat Pump System

Job Name	Location	Date
Purchaser	Engineer	
Submitted to	For	
Unit Designation	Schedule No.	

 YBE1FB5F	 TM18D6OCI	 XE72-44/E
---	--	--

GENERAL FEATURES

- High Efficiency DC Inverter Technology
- Compact and Quiet Design
- Multiple Fan Speeds
- Swing Louver Control
- Internal Condensate Drain Pump W/ Sentry Float Switch
- Wireless Remote with LCD Display Included
- XE72-44/E Wired Controller Included
- Low Ambient Cooling and Heating
- (Indoor and Outdoor) Copper Tube / Aluminum Fin
- Blue Colored Fin - 500 Hrs Salt Spray Tested
- New R32 Refrigerant with Refrigerant Sensor

SPECIFICATIONS, FEATURES & FUNCTION SUMMARY

INDOOR MODEL		TM18D6OCI			
System Type	HEAT PUMP				
Outdoor Model	VIR18HP230V1R32AO	ENV18HP230V1R32AO	SAP18HP230V1R32AO		
SYSTEM PERFORMANCE					
Cooling	Min - Max	Btu/h	5,100 - 23,200	5,100 - 23,200	5,100 - 23,200
	Capacity @95°F	Btu/h	18,000	18,000	18,000
Heating	Min - Max	Btu/h	5,800 - 23,500	5,800 - 23,500	5,800 - 23,500
	Capacity @47°F	Btu/h	18,000	18,000	18,000
	Capacity @17°F	Btu/h	10,100	10,100	11,000
	Capacity Max @5°F	Btu/h	12,600	12,600	13,500
SEER2			21.5	21.5	23.5
EER2			10.9	10.9	10.90
HSPF2			8.5	8.5	8.7
COP @5°F			1.80	1.80	1.80
Cooling Temperature Range		°F	-20 - 122		
Heating Temperature Range		°F	-22 - 86		
Refrigerant Type	R32				
INDOOR UNIT		TM18D6OCI			
Air flow (Min-Max)	CFM	265 - 412			
Sound Pressure Level (Min - Max)	dB(A)	35 - 43			
Dehumidification	pt/hr	3.8			
External Dimensions (L x D x H)	in	38-55/64 x 15-5/32 x 7-1/64			
Package Dimension (L x W x H)	in	51-29/64 x 19-23/32 x 12-13/64			
Net Weight	lbs	44.1			
Gross Weight	lbs	59.5			
CASSETTE GRILLE (REQUIRED)		TD01			
Grille Dimension (L x D x H)	in	47-1/4 x 18-7/64 x 2-11/64			
Package Dimension (L x W x H)	in	49-13/16 x 21-1/8 x 4-25/32			
Weight (Net / Gross)	lbs	9.26 / 13.23			
OUTDOOR UNIT		VIR18HP230V1R32AO	ENV18HP230V1R32AO	SAP18HP230V1R32AO	
Sound Pressure Level	dB(A)	59	59	59	
External Dimensions (L x D x H)	in	37-23/32 x 15-53/64 x 25-63/64	37-23/32 x 15-53/64 x 25-63/64	37-23/32 x 15-53/64 x 25-63/64	
Package Dimension (L x W x H)	in	40-5/8 x 17-61/64 x 29-1/64	40-5/8 x 17-61/64 x 29-1/64	40-5/8 x 17-61/64 x 29-1/64	
Net Weight	lbs	94.8	94.8	94.8	
Gross Weight	lbs	104.7	104.7	104.7	
REFRIGERANT PIPING					
Refrigerant Charge - R410A	oz	40.6	40.6	47.6	
Additional Charge	oz/ft	0.2	0.2	0.4	
Line Set Sized by Indoor Unit (Liquid - Gas)	in	1/4 - 1/2			
Line Set Size (Liquid - Gas) - Flared Connections	in	1/4 - 1/2	1/4 - 1/2	1/4 - 5/8	
Pre-Charge Length	ft	25			
Pipe Length (Min - Max)	ft	10 - 131	10 - 131	10 - 131	
Max. Pipe Elevation	ft	82	82	82	
ELECTRICAL					
Power Supply	208-230V / 1Ph / 60Hz (Powered by the Outdoor Unit)				
Voltage Range (Min - Max)	VAC	187 - 253			
Rated Current - Cooling	A	11.5	5.9	12.5	
Rated Current - Heating	A	11.5	7.8	16	
MCA	A	16	11	20	
MOCP	A	20	15	25	
Suggested Breaker Size	A	20	15	20	
Main Power Wire Size	AWG	Per Local Code			
Interconnecting Wire Size	AWG	14 / 4			

FEATURES & FUNCTIONS SUMMARY

SYSTEM FEATURES

Inverter Type	G20 with Field Oriented control (FOC)
Ultra Low Frequency Torque Control	Yes
Power Factor Correction	Yes
Compressor Type - Inverter	High Efficiency Rotary
Basepan With Electric Heater	Yes
Indoor & Outdoor Fin Coating (Blue Fin)	Yes
Intelligent Defrosting	Yes
Intelligent Preheating	Yes
Low Voltage Startup	Yes
Memory/Power Failure Recovery	Yes
Self Diagnosis	Yes
Wired Controller Interface	Yes
WiFi Included	No
Indoor Fan Type	Centrifugal
Multi Fan Speeds	4 Speeds
Indoor Unit Display	Yes
Auxiliary Electrical Heater	No
Ventilation (Outdoor Air)	Yes

REMOTE CONTROLLER FUNCTIONS

Auto Mode	Yes
Auto Fan	Yes
Auto Swing (Horizontal Auto Swing)	No
Auto Swing - 180° (Vertical Auto Swing)	Yes
Clock	Yes
Dry Mode	Yes
Dry Anti-Mildew (X-Fan) Mode	Yes
Energy Saving Mode	Yes
Dirty Filter Alert	No
Fan Speed Control (7 Speeds)	Yes
I Feel Function	Yes
Privacy Lock	Yes
Quiet Mode	Yes
Room Temperature Display	No
Sleep Mode	Yes
3 Sleep Mode Options	Yes
Timer Mode	Yes
Turbo Mode	Yes
Display On/Off Control	Yes
Freeze Guard Mode	Yes
Power Failure Mode	Yes

NOTE:

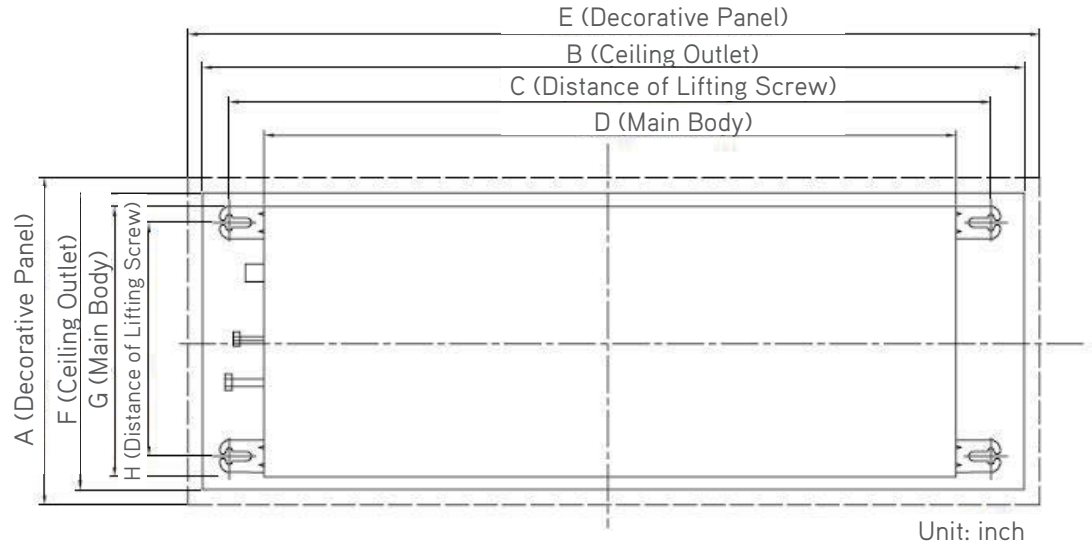
Please check the Multi-zone submittals for Non-Ducted or Mixed Performance table.

DIMENSIONS

INDOOR UNIT

Unit: inch

TM18D60CI	
DIMENSIONS	
A	47-1/4
B	43-57/64
C	40-7/16
D	38-55/64
E	18-7/64
F	16-11/32
G	15-5/32
H	10-9/32



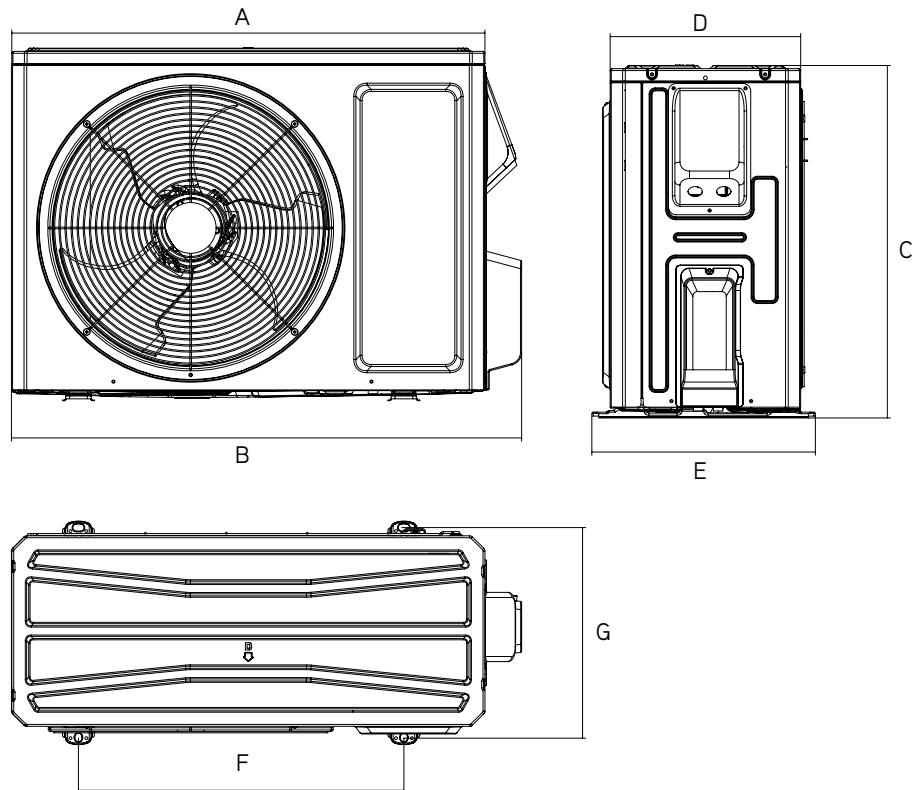
OUTDOOR UNIT

Unit: inch

VIR18HP230V1R32AO	
DIMENSIONS	
A	35
B	37 23/32
C	25 63/64
D	13 25/64
E	15 53/64
F	22 7/16
G	14 39/64

ENV18HP230V1R32AO	
DIMENSIONS	
A	35
B	37 23/32
C	25 63/64
D	13 25/64
E	15 53/64
F	22 7/16
G	14 39/64

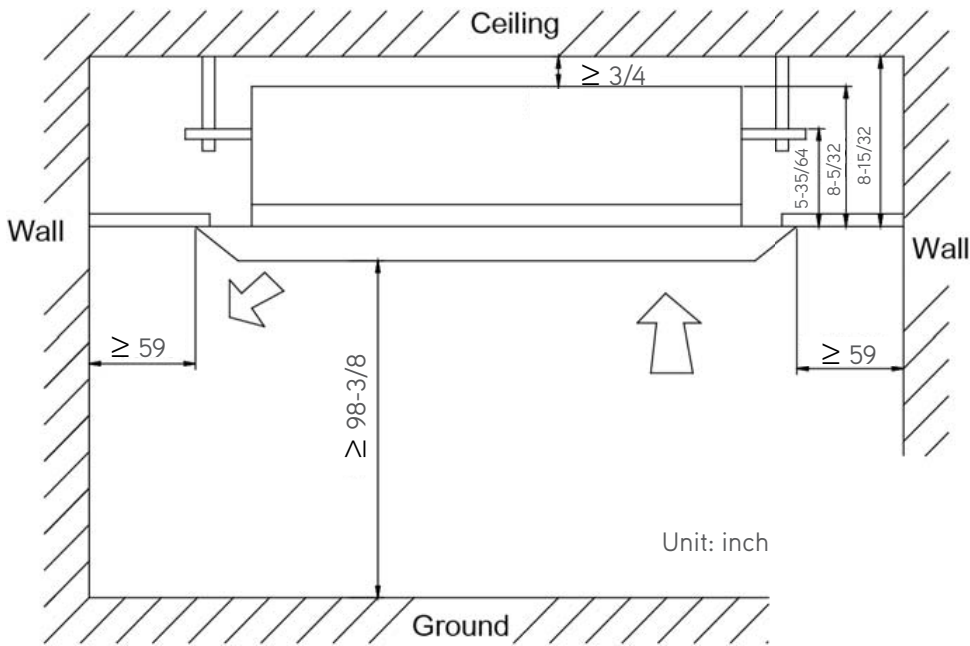
SAP18HP230V1R32AO	
DIMENSIONS	
A	35
B	37 23/32
C	25 63/64
D	13 25/64
E	15 53/64
F	22 7/16
G	14 39/64



CLEARANCES

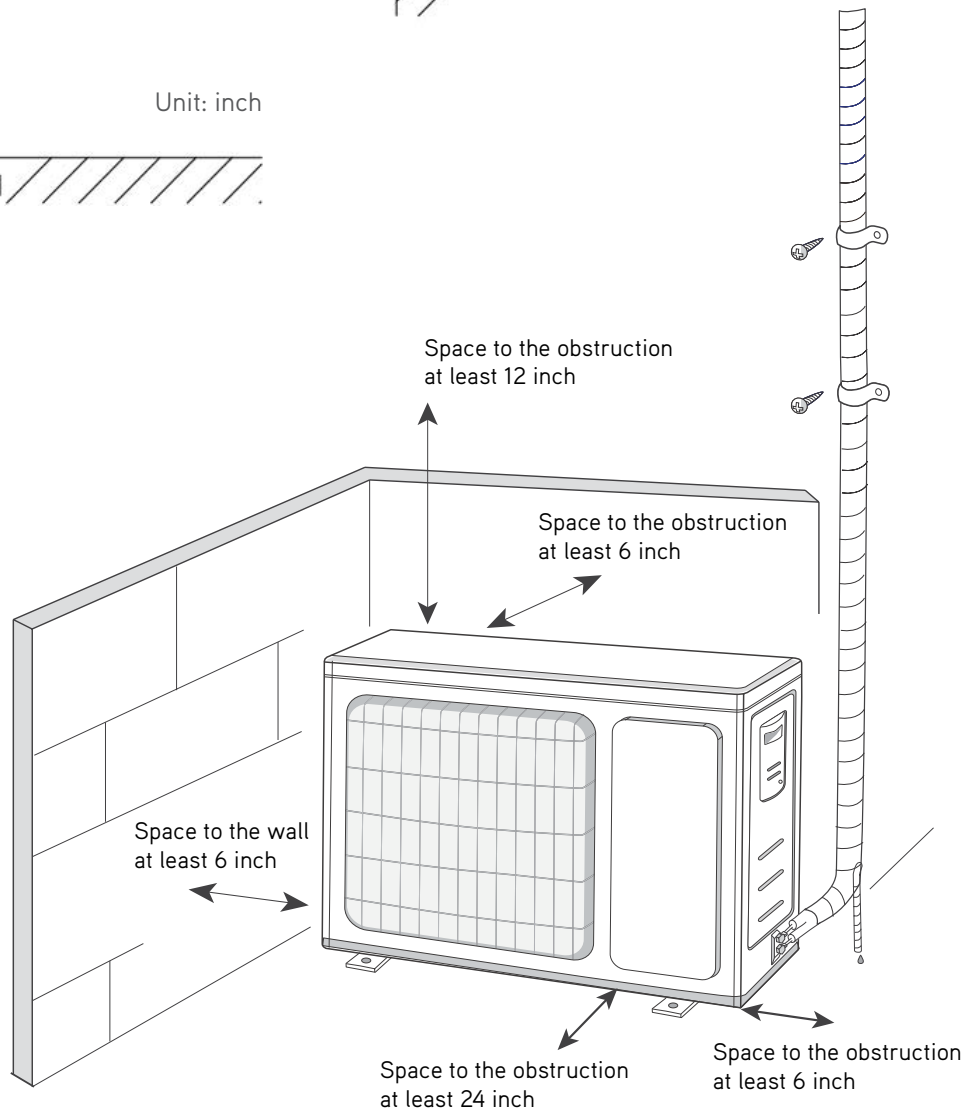
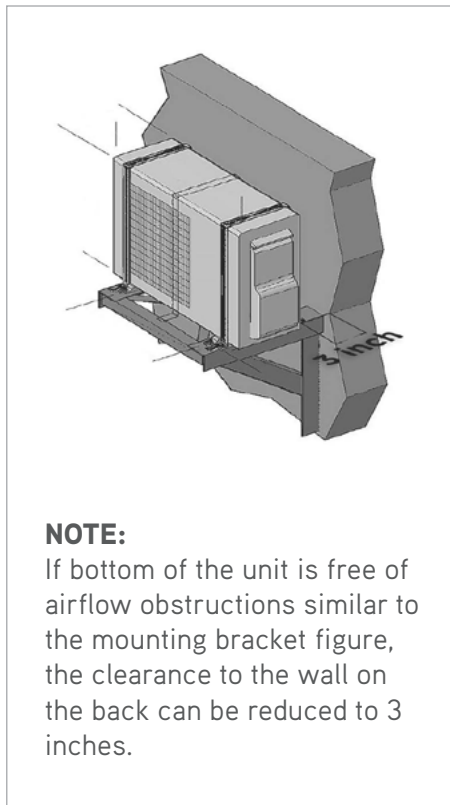
INDOOR UNIT

Minimum clearance



OUTDOOR UNIT

Minimum clearance



Specifications are subject to change without notice. Manufacturer reserves the right to discontinue or modify specifications or designs without notice or without incurring obligations. All Rights reserved.

TOSOTCOMFORT.COM