



SPLIT TYPE



SUBMITTAL

**Model:
TM36HMO**



| Model | | TM36HMO | |
|-----------------------|---------------------------------|-----------|-----------------------------------|
| Power supply | Rated Voltage | V~ | 208/230 |
| | Rated Frequency | Hz | 60 |
| | Phases | - | 1 |
| Cooling capacity | | Btu/h | 34000 |
| Heating capacity | | Btu/h | 36000 |
| Cooling Power Input | | W | 2830 |
| Heating Power Input | | W | 2960 |
| Cooling Current Input | | A | 12.56 |
| Heating Current Input | | A | 13.13 |
| Rated Power Input | | W | 4600/5200 |
| Rated Current | | A | 20.41/22.61 |
| EER | | (Btu/h)/W | 12.00 |
| COP | | (Btu/h)/W | 12.16 |
| SEER | | - | 21.00(SEER) 21.00(SEER2) |
| HSPF | | - | 10.00(HSPF) 10.00(HSPF2) |
| Outdoor Unit | Compressor Trademark | - | ZHUHAI LANDA COMPRESSOR CO., LTD. |
| | Compressor Model | - | QXFS-D280zX070C |
| | Compressor Refrigerant Oil Type | - | FW68DA or equivalent |
| | Compressor Type | - | Twin Rotary |
| | L.R.A | A | / |
| | Compressor Rated Load Amp (RLA) | A | 18.2 |
| | Compressor Power Input | W | 2294 |
| | Suggested Breakder Size | - | 30 |
| | Compressor Thermal Protector | - | KSD115°C HPC115/95U1 |
| | Throttling Method | - | Electron expansion valve |
| Sound Pressure Level | | dB(A) | 63 |

Job Name:

Schedule Reference:

Date:

Specification are subject to change without notice.



| | | | |
|---|---|--------|-------------------------------|
| Outdoor Unit | Cooling Operation Ambient Temperature Range | °F | -22~118 |
| | Heating Operation Ambient Temperature Range | °F | -22~75.2 |
| | Condenser Material | - | Aluminum Fin-copper Tube |
| | Condenser Pipe Diameter | mm | Φ7.94 |
| | Rows-Fin Gap(mm) | mm | 3-1.6 |
| | Coil length (l) × height (H) × coil width (L) | mm | 1066 × 792 × 57.1 |
| | Fan Motor Speed (rpm) | rpm | cooling:860 heating:860 |
| | Output of Fan Motor | W | 130 |
| | Fan Motor RLA | A | / |
| | Fan Motor Capacitor | - | / |
| | Air Flow Volume of Outdoor Unit | CFM | 3413 |
| | Fan Type-Piece | - | Axial-flow |
| | Fan Diameter | mm | Φ550-205 |
| | Defrosting Method | - | Automatic Defrosting |
| | Climate Type | - | T1 |
| | Isolation | - | I |
| | Moisture Protection | - | IPX4 |
| | Permissible Excessive Operating Pressure for the Discharge Side | PSIG | 550 |
| | Permissible Excessive Operating Pressure for the Suction Side | PSIG | 240 |
| | Dimension (W × D × H) | inch | 40 5/32 × 16 13/16 × 32 33/64 |
| | Dimension of Package (L × W × H) | inch | 42 29/32 × 19 29/64 × 34 1/4 |
| | Dimension of Package(L × W × H) | inch | 43 1/32 × 19 9/16 × 34 27/32 |
| | Net Weight | lb | 172.0 |
| | Gross Weight | lb | 187.4 |
| | Refrigerant Charge | - | R410A |
| | Refrigerant Charge | oz | 130.5 |
| | Cross-sectional Area of Power Cable Conductor | sq in | 0.008215(AWG10) |
| | Recommended Power Cable(Core) | N | 3 |
| | Connection Pipe Connection Method | - | Flare Connection |
| | Not Additional Gas Connection Pipe Length | ft | 131.2 |
| | Connection Pipe Gas Additional Charge | oz/ft. | 0.2 |
| | Outer Diameter of Liquid Pipe1 (GREE Allocation)(Metric) | inch | 1/4" |
| | Outer Diameter of Liquid Pipe2(GREE Allocation)(Metric) | inch | 1/4" |
| | Outer Diameter of Liquid Pipe3(GREE Allocation)(Metric) | inch | 1/4" |
| | Outer Diameter of Liquid Pipe4(GREE Allocation)(Metric) | inch | 1/4" |
| | Outer Diameter of Gas Pipe1 (GREE Allocation)(Metric) | inch | 3/8" |
| | Outer Diameter of Gas Pipe2(GREE Allocation)(Metric) | inch | 3/8" |
| | Outer Diameter of Liquid Pipe3(GREE Allocation)(Metric) | inch | 3/8" |
| | Outer Diameter of Liquid Pipe4(GREE Allocation)(Metric) | inch | 3/8" |
| | Connection Pipe Max. Height Distance(indoor and indoor) | ft | 82.0 |
| Connection Pipe Max. Height Distance(indoor and outdoor and indoor up) | ft | 82.0 | |
| Connection Pipe Max. Height Distance(indoor and outdoor and outdoor up) | ft | 82.0 | |
| Max. equivalent connection pipe length(outdoor to last indoor) | ft | 82.0 | |
| Connection Pipe Max. Length Distance(total length) | ft | 262.5 | |

The above data is subject to change without notice; please refer to the nameplate of the unit.

Job Name:

Schedule Reference:

Date:

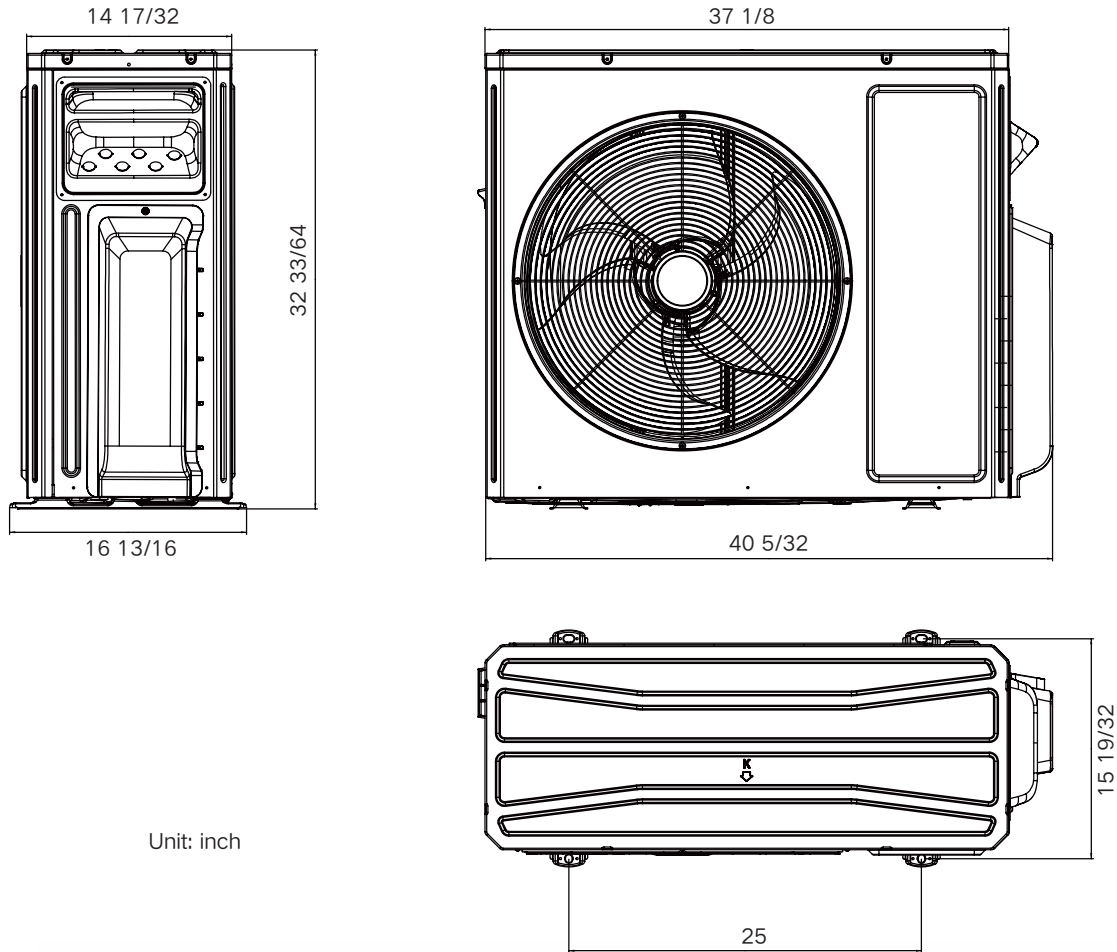
Specification are subject to change without notice.



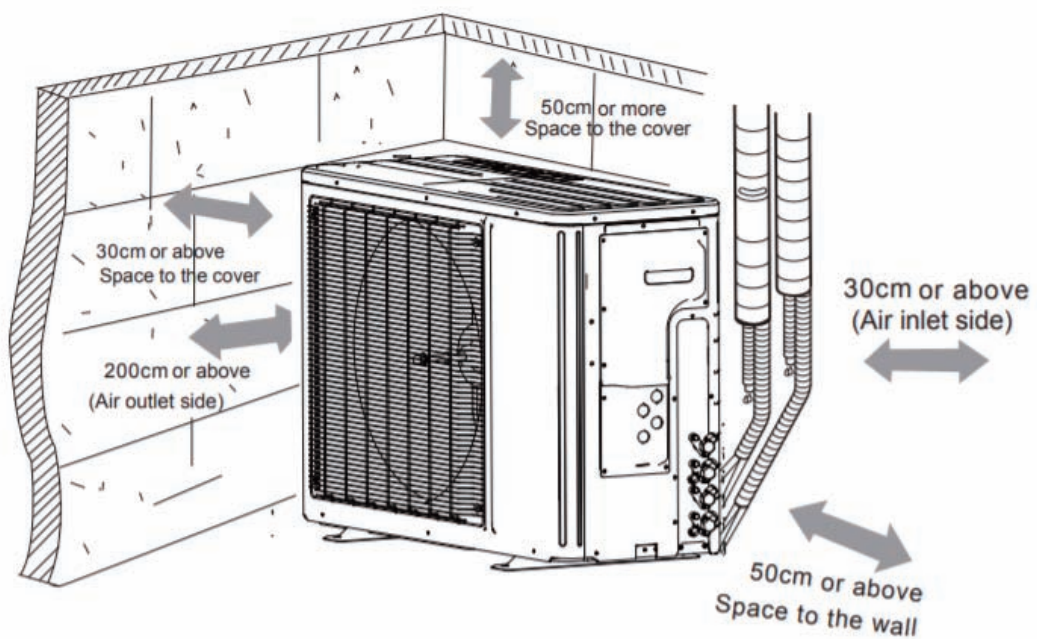
| MODEL NUMBER | POSSIBLE COMBINATIONS | COOLING CAPACITY (Btu/h) | | | | | HEATING CAPACITY (Btu/h) | | | | |
|--------------|-----------------------|--------------------------|--------|--------|--------|-------|--------------------------|--------|--------|--------|-------|
| | | ZONE1 | ZONE2 | ZONE3 | ZONE4 | ZONE5 | ZONE1 | ZONE2 | ZONE3 | ZONE4 | ZONE5 |
| TM36HMO | 9k+9k | 9,000 | 9,000 | | | | 9,500 | 9,500 | | | |
| TM36HMO | 9k+12k | 9,000 | 12,000 | | | | 9,429 | 12,571 | | | |
| TM36HMO | 9k+18k | 9,000 | 18,000 | | | | 9,500 | 18,000 | | | |
| TM36HMO | 9k+24k | 9,000 | 24,000 | | | | 9,500 | 24,000 | | | |
| TM36HMO | 12k+12k | 12,000 | 12,000 | | | | 12,000 | 12,000 | | | |
| TM36HMO | 12k+18k | 12,000 | 18,000 | | | | 12,000 | 18,000 | | | |
| TM36HMO | 12k+24k | 11,333 | 22,667 | | | | 12,000 | 24,000 | | | |
| TM36HMO | 18k+18k | 17,000 | 17,000 | | | | 18,000 | 18,000 | | | |
| TM36HMO | 18k+24k | 14,571 | 19,429 | | | | 15,429 | 20,571 | | | |
| TM36HMO | 24k+24k | 17,000 | 17,000 | | | | 18,000 | 18,000 | | | |
| TM36HMO | 9k+9k+9k | 9,000 | 9,000 | 9,000 | | | 9,000 | 9,000 | 9,000 | | |
| TM36HMO | 9k+9k+12k | 9,000 | 9,000 | 12,000 | | | 9,000 | 9,000 | 12,000 | | |
| TM36HMO | 9k+9k+18k | 8,500 | 8,500 | 17,000 | | | 9,000 | 9,000 | 18,000 | | |
| TM36HMO | 9k+9k+24k | 7,286 | 7,286 | 19,429 | | | 7,714 | 7,714 | 20,571 | | |
| TM36HMO | 9k+12k+12k | 9,000 | 12,000 | 12,000 | | | 9,000 | 12,000 | 12,000 | | |
| TM36HMO | 9k+12k+18k | 7,846 | 10,462 | 15,692 | | | 8,308 | 11,077 | 16,615 | | |
| TM36HMO | 9k+12k+24k | 6,800 | 9,067 | 18,133 | | | 7,200 | 9,600 | 19,200 | | |
| TM36HMO | 9k+18k+18k | 6,800 | 13,600 | 13,600 | | | 7,200 | 14,400 | 14,400 | | |
| TM36HMO | 9k+18k+24k | 6,000 | 12,000 | 16,000 | | | 6,353 | 12,706 | 16,941 | | |
| TM36HMO | 12k+12k+12k | 11,333 | 11,333 | 11,333 | | | 12,000 | 12,000 | 12,000 | | |
| TM36HMO | 12k+12k+18k | 9,714 | 9,714 | 14,571 | | | 10,286 | 10,286 | 15,429 | | |
| TM36HMO | 12k+12k+24k | 8,500 | 8,500 | 17,000 | | | 9,000 | 9,000 | 18,000 | | |
| TM36HMO | 12k+18k+18k | 8,500 | 12,750 | 12,750 | | | 9,000 | 13,500 | 13,500 | | |
| TM36HMO | 12k+18k+24k | 7,556 | 11,333 | 15,111 | | | 8,000 | 12,000 | 16,000 | | |
| TM36HMO | 18k+18k+18k | 11,333 | 11,333 | 11,333 | | | 12,000 | 12,000 | 12,000 | | |
| TM36HMO | 9k+9k+9k+9k | 8,500 | 8,500 | 8,500 | 8,500 | | 9,000 | 9,000 | 9,000 | 9,000 | |
| TM36HMO | 9k+9k+9k+12k | 7,846 | 7,846 | 7,846 | 10,462 | | 8,308 | 8,308 | 8,308 | 11,077 | |
| TM36HMO | 9k+9k+9k+18k | 6,800 | 6,800 | 6,800 | 13,600 | | 7,200 | 7,200 | 7,200 | 14,400 | |
| TM36HMO | 9k+9k+9k+24k | 6,000 | 6,000 | 6,000 | 16,000 | | 6,353 | 6,353 | 6,353 | 16,941 | |
| TM36HMO | 9k+9k+12k+12k | 7,286 | 7,286 | 9,714 | 9,714 | | 7,714 | 7,714 | 10,286 | 10,286 | |
| TM36HMO | 9k+9k+12k+18k | 6,375 | 6,375 | 8,500 | 12,750 | | 6,750 | 6,750 | 9,000 | 13,500 | |
| TM36HMO | 9k+9k+12k+24k | 5,667 | 5,667 | 7,556 | 15,111 | | 6,000 | 6,000 | 8,000 | 16,000 | |
| TM36HMO | 9k+9k+18k+18k | 5,667 | 5,667 | 11,333 | 11,333 | | 6,000 | 6,000 | 12,000 | 12,000 | |
| TM36HMO | 9k+12k+12k+12k | 6,800 | 9,067 | 9,067 | 9,067 | | 7,200 | 9,600 | 9,600 | 9,600 | |
| TM36HMO | 9k+12k+12k+18k | 6,000 | 8,000 | 8,000 | 12,000 | | 6,353 | 8,471 | 8,471 | 12,706 | |
| TM36HMO | 12k+12k+12k+12k | 8,500 | 8,500 | 8,500 | 8,500 | | 9,000 | 9,000 | 9,000 | 9,000 | |
| TM36HMO | 12k+12k+12k+18k | 7,556 | 7,556 | 7,556 | 11,333 | | 8,000 | 8,000 | 8,000 | 12,000 | |



Outline and Physical Dimensions of TM36HMO.



Unit: inch



TOSOT COMFORT INC.

E-mail: HI@tosotcomfort.com www.tosotcomfort.com