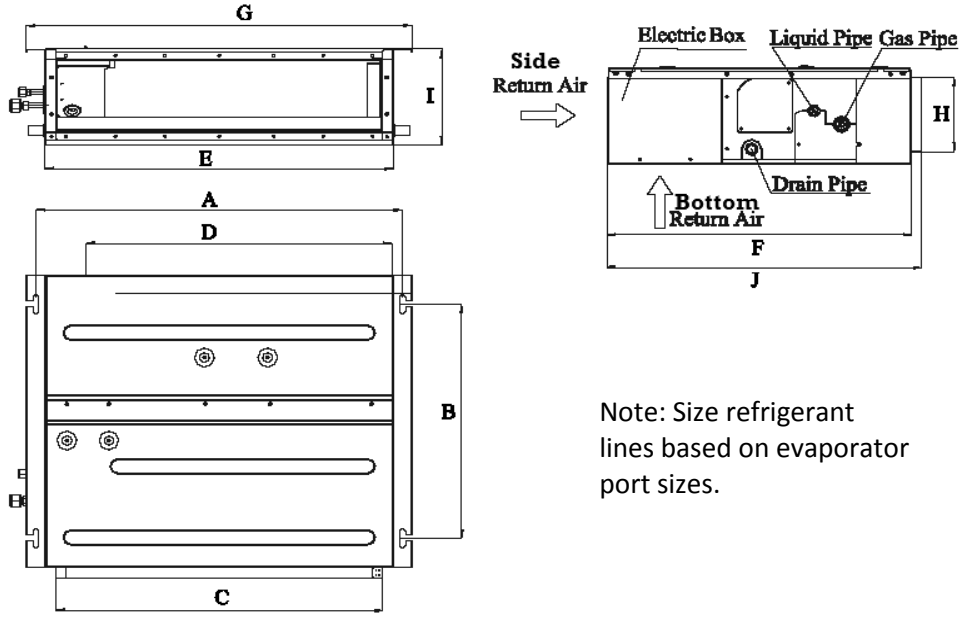


Submittal Data: TM09HFDI		9,000 BTU	
Job Name		Location	Date
Purchaser		Engineer	
Submitted To		For <input type="checkbox"/> Reference <input type="checkbox"/> Approval <input type="checkbox"/> Construction	
Unit Designation		Schedule No.	
GENERAL FEATURES -Quiet Operation -Multi-Speed Fan -Medium Static Pressure Capability -Slim Line Construction 8" high -Internal Condensate Drain Pump -Flexible Return Air From Bottom Or Rear -XK-19 Wired Controllers -Wireless Remote Controllers -Sentry Condensate Overflow Protection -Limited 5 yr. Parts Warranty			
System Ratings		Units Specification & Data	
Cooling* Rated Capacity 8,500 BTU/H		Wired Controller XK-19	
Heating* Rated Capacity 9,500 BTU/H		Condensate Drain Lift (Height) 18-in 457-mm	
Sound Pressure (Hi/Lo)** Cooling 37/31 dbA Heating 37/31 dbA		Drain Size (OD) 1.0-in 26-mm	
Air Flow (min/max) Indoor Fan 147/265 CFM			
Ext Static Pressure (max/min) 0.040/0.025 inch wg			
Electrical Ratings		Refrigerant Piping Data	
Fan Motor Output Power 80 W FLA 0.35 A		Refrigerant Type R410A Gas Pipe Size (OD) 3/8-in Liquid Pipe Size (OD) 1/4-in	
Power Supply Normal Operational Voltage 208/230 V, 1 Phase, 60 Hz Voltage Range 187 - 253 V MCA 1.0 A Interconnecting Cable Wire Size 14-4 AWG		Connection Method Flared	
		* Test conditions are based on AHRI 210/240. **Sound Power ratings are per AHRI 270 and AHRI 350	



9,000 BTUH MODEL

Model # 9,000 BTUH 230V



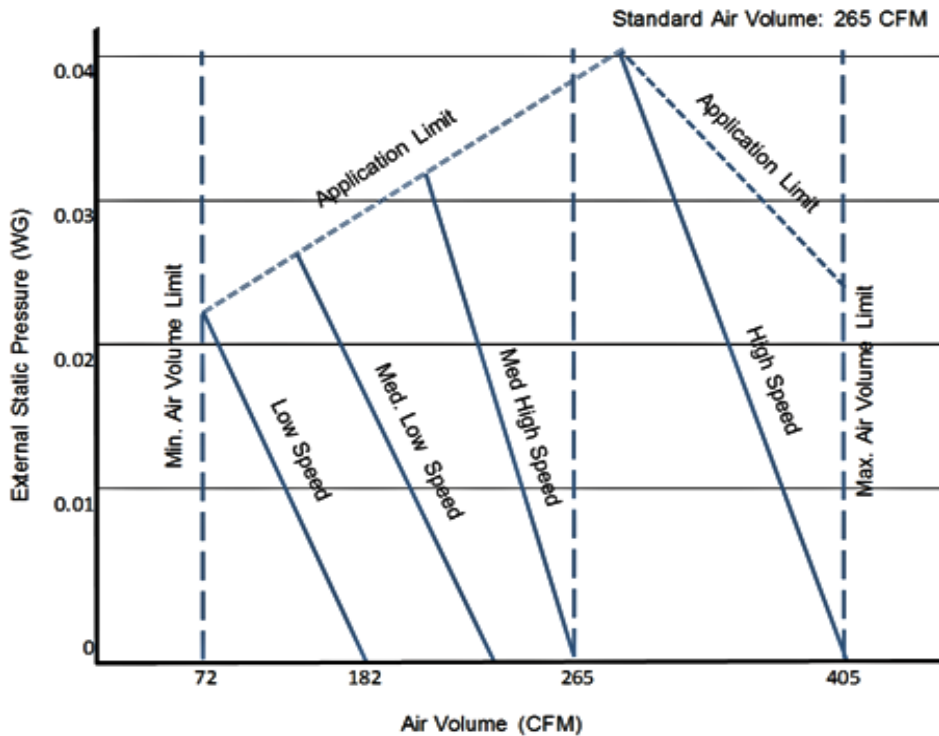
Dimensions

	A	B	C	D	E	F	G	H	I	J
(mm)	742	491	662	620	700	615	782	156	200	635
(inches)	29.2	19.3	26.1	24.4	27.6	24.2	30.8	6.1	7.9	25.0

Weight (Net/Gross) 49/60 lbs

INDOOR FAN PERFORMANCE DATA

WG = inches of water guage



Notes:

1. Recommended Interconnecting Cable Type Stranded Bare Copper Conductors THHN 600V Unshielded Wire
2. Power wiring cable size must comply with applicable national and local codes.
3. Test conditions are based on AHRI 210/240.

Specifications are subject to change without notice. Manufacturer reserves the right to discontinue or modify specifications or designs without notice or without incurring obligations. All rights reserved.