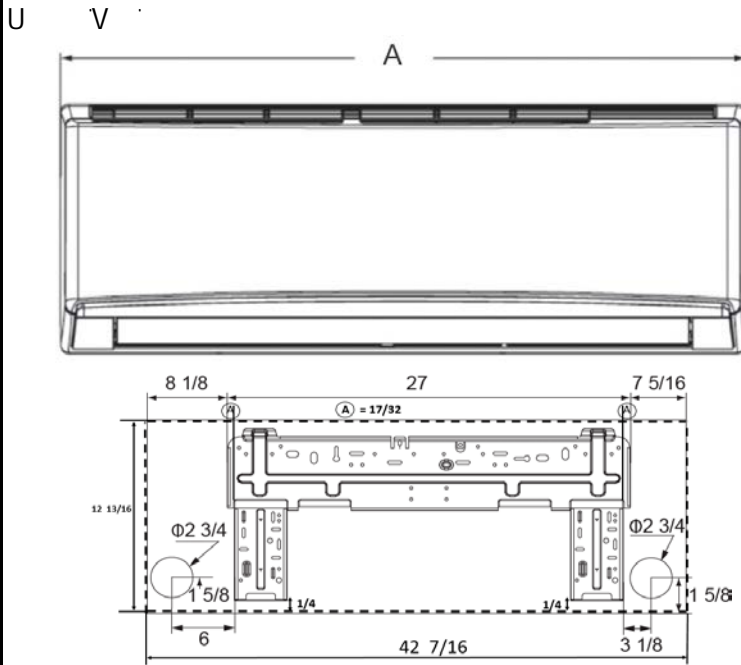


DIMENSIONAL SPECIFICATIONS

INDOOR UNIT DIMENSIONS

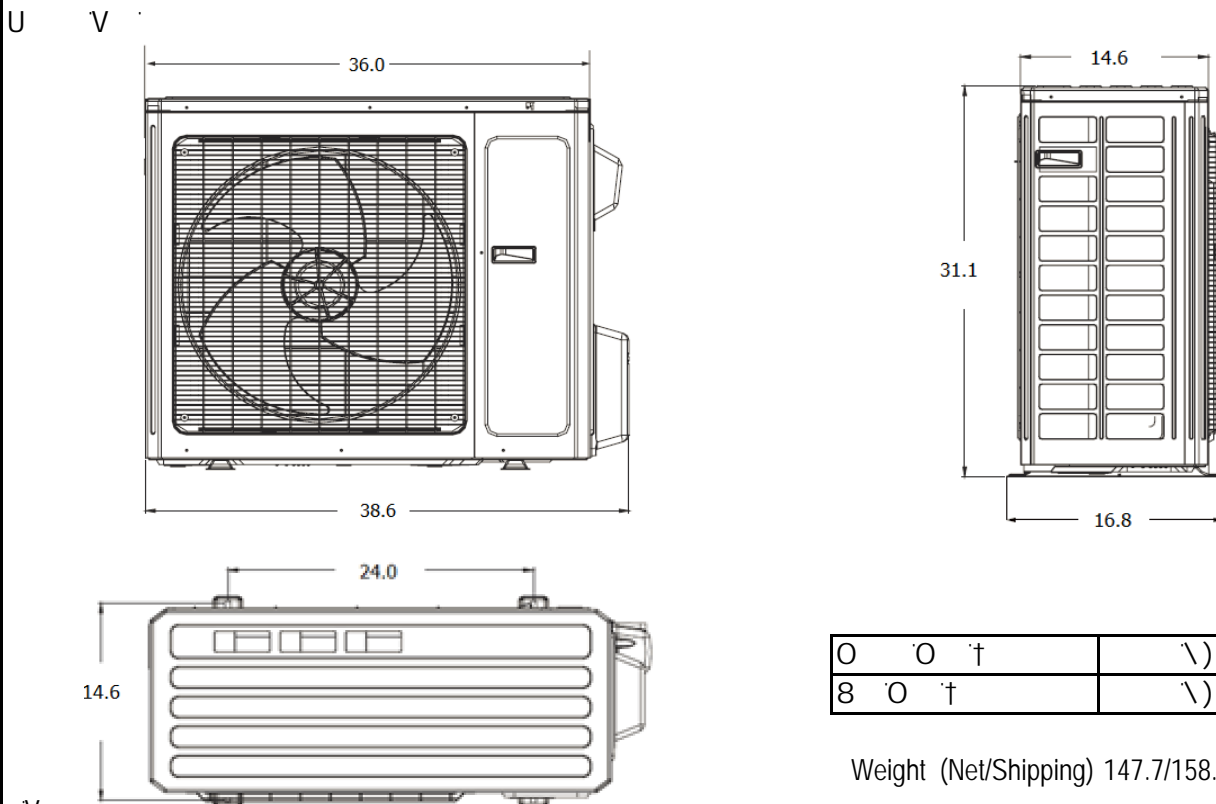


Dimensions	
A	42.5
B	12.8
C	9.7

Weight (Net/Shipping) 35.3/41.9 LBS

Liquid Line Valve	1/4-in OD Flared
Gas Line Valve	5/8-in OD Flared
Drain Connector	5/8-in OD

OUTDOOR UNIT DIMENSIONS



0	0	†	\)	7
8	0	†	\)	7

Weight (Net/Shipping) 147.7/158.8 LBS

k @ # u † 8 o # # u==V ††
 h
 u =k@