


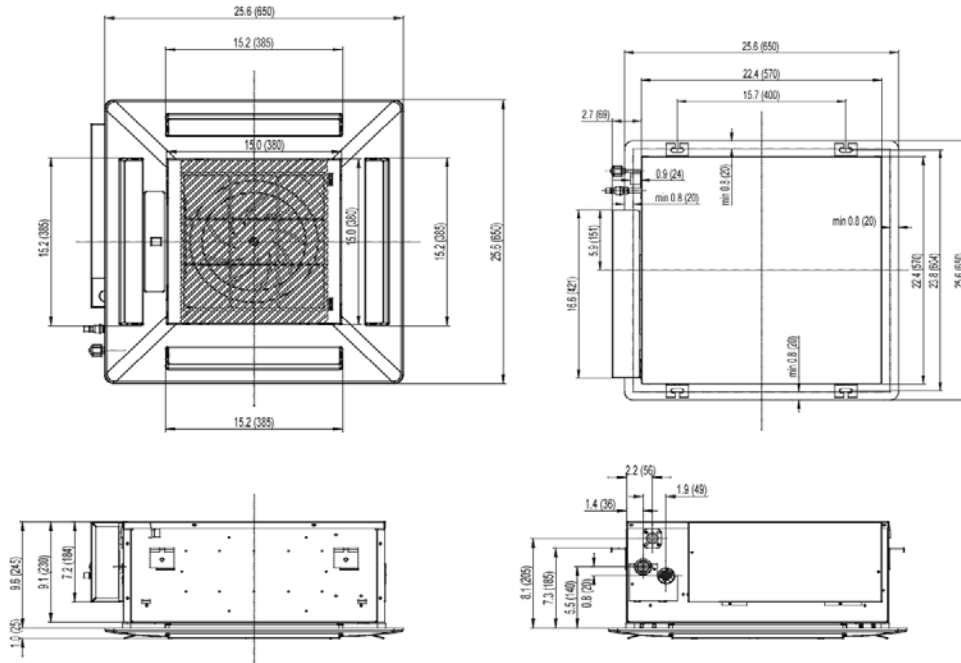
Submittal Data: TM12HKDI		12,000 BTU	
Job Name		Location	Date
Purchaser		Engineer	
Submitted To		For <input type="checkbox"/> Reference <input type="checkbox"/> Approval <input type="checkbox"/> Construction	
Unit Designation		Schedule No.	
GENERAL FEATURES -Quiet Operation -Multi-Speed Fan -4-way Discharge Air -Internal Condensate Drain Pump -Swing Louver -Both Wireless & Wired Remote Controllers -Power Failure Recovery -Sentry Condensate Overflow Protection -Decorative Grille (Sold Separately) -Limited 5 yr. Parts Warranty			
System Ratings		Units Specification & Data	
Cooling* Rated Capacity 12,000 BTU/H		Wired Controller XK-19	
Heating* Rated Capacity 13,000 BTU/H		Air Filter Netted polypropylene	
Sound Pressure (Hi/Lo)** Cooling 46/32 dbA Heating 46/32 dbA		Condensate Drain Lift (Height) 12-in 305-mm	
Air Flow (min/max) Indoor Fan 265/353 CFM		Drain Size (OD) 1.2-in 31-mm	
Electrical Ratings		Refrigerant Piping Data	
Fan Motor Output Power 11 W FLA 0.2 A		Refrigerant Type R410A	
Power Supply Normal Operational Voltage 208/230 V, 1 Phase, 60 Hz Voltage Range 187 - 253 V MCA 1.0 A Interconnecting Cable Wire Size 14-4 AWG		Gas Pipe Size (OD) 3/8-in Liquid Pipe Size (OD) 1/4-in Connection Method Flared	
		* Test conditions are based on AHRI 210/240. **Sound Power ratings are per AHRI 270 and AHRI 350	



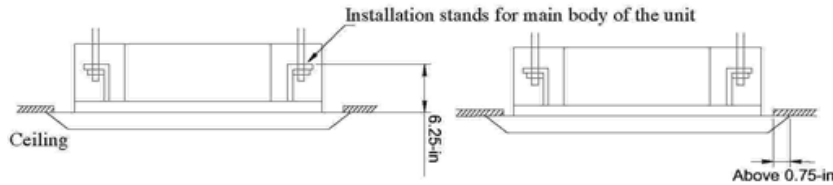
12,000 BTUH MODEL

Model # 12,000 BTUH 230V

Units: inch (mm)

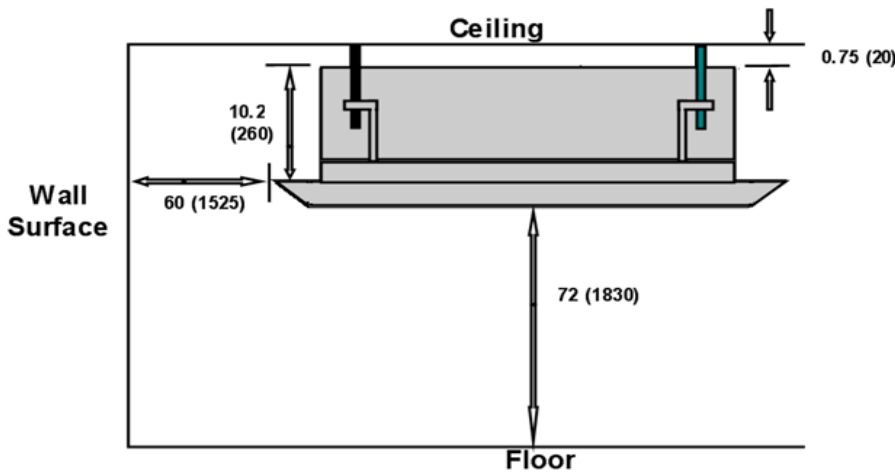


Note: Size refrigerant lines based on evaporator port sizes.



Weight (Net/Gross) 40/51 lbs

MINIMUM CLEARANCES



Notes:

1. Recommended Interconnecting Cable Type Stranded Bare Copper Conductors THHN 600V Unshielded Wire
2. Power wiring cable size must comply with applicable national and local codes.
3. Test conditions are based on AHRI 210/240.

Specifications are subject to change without notice. Manufacturer reserves the right to discontinue or modify specifications or designs without notice or without incurring obligations. All rights reserved.