



**Model:  
TUD36-24AH2ADU**



Air Handler		
Model	TUD36-24AH2ADU	
<b>Performance</b>		
Cooling Rated Capacity	Btu/h	36,000
Heating Rated Capacity	Btu/h	36,000
Airflow	cfm	1000
Sound Rating	dB(A)	49
<b>Electrical</b>		
Voltage, Phase, Cycle	V/Ph/Hz	208/230-1-60
Voltage Range	V	187~253
MCA	A	4
MOP	A	15
Control Voltage	V	24
<b>Blower Motor</b>		
Type	DC Direct Drive	
Speed Max	rpm	820
Power Output	hp	1/2
Full Load Amp(FLA)	A	3
<b>Blower</b>		
Type	Centrifugal	
Wheel Diameter	in	10-1/4
Wheel Height	in	9-11/16
<b>Filter, Coil and Refrigerant</b>		
Disposable Filter Size	in	18 x 20 x 1
Coil Area	sq ft	4.09
Fins per Inch(FPI) - Rows	16 - 4	
Expansion Valve	Qty	1
Refrigerant Type	R410A	
Pipe Connection Size - Liquid	in	3/8
Pipe Connection Size - Suction	in	3/4
Pipe Connection Type	Flare or Solder	
Condensate Drain Size	in	1
<b>Dimension and Weight</b>		
Dimensions(W x D x H)	in	21-1/4 x 21-1/4 x 48-1/4
Net Weight	lb	157

Job Name:		Date:	
Reference #:			
Signature:			

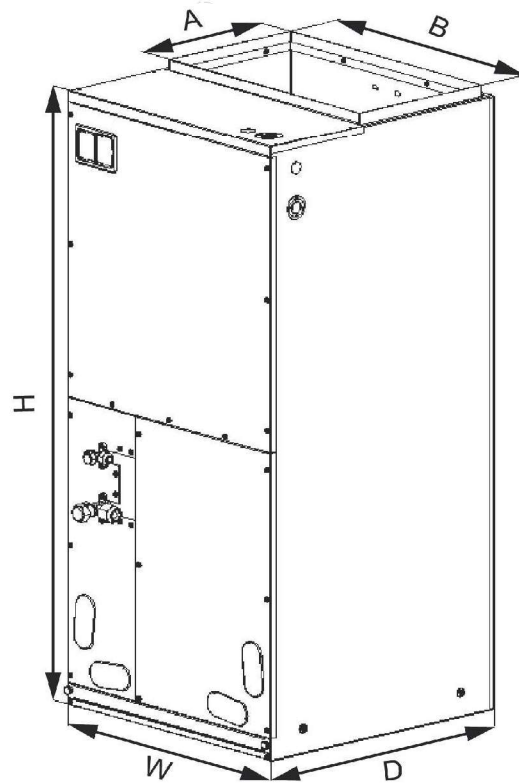


**TOSOT**

**T-UNIX**

**TOSOT**

**DC DIRECT DRIVE AIR HANDLER**



Dimensions					
Model #	W	D	H	A	B
TUD36-24AH2ADU	21-1/4"	21-1/4"	48-1/4"	11-5/8"	20"

