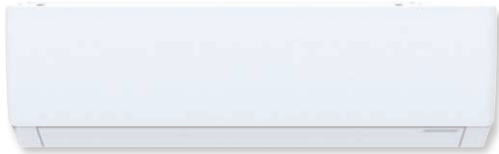




SPLIT TYPE

SUBMITTAL

Model: TWH18AG25A2D



| Model | | TWH18AG25A2D | |
|-----------------------|-------------------------------------|-----------------|--|
| Power Supply | Rated Voltage | V~ | 208/230 |
| | Rated Frequency | Hz | 60 |
| | Phases | - | 1 |
| Power Supply Mode | | - | Outdoor |
| Cooling Capacity | | Btu/h | 18000 |
| Heating Capacity | | Btu/h | 18000 |
| Cooling Power Input | | W | 1384 |
| Heating Power Input | | W | 1384 |
| Cooling Power Current | | A | 6.3 |
| Heating Power Current | | A | 6.3 |
| Rated Input | | W | 2350 |
| Rated Cooling Current | | A | 11.5 |
| Rated Heating Current | | A | 11.5 |
| Air Flow Volume | | CFM | 589/500/441/412/383/353/324 |
| Dehumidifying Volume | | Pint/h | 3.8 |
| EER | | (Btu/h)/W | 13 |
| COP | | (Btu/h)/W | 13 |
| SEER | | - | 23 |
| HSPF | | - | / |
| Application Area | | yd ² | 28-41 |
| Model of indoor unit | | | TWH18AG25A2DI |
| Indoor Unit | Fan Type | - | Cross-flow |
| | Fan Diameter Length(D × L) | mm | Φ106 × 739 |
| | Cooling Speed | r/min | 1400/1200/1120/1050/980/860/750 |
| | Heating Speed | r/min | 1400/1200/1120/1050/950/850/750 |
| | Fan Motor Power Output | W | 45 |
| | Fan Motor RLA | A | 0.35 |
| | Fan Motor Capacitor | μ F | / |
| | Evaporator Form | - | Aluminum Fin-copper Tube |
| | Evaporator Pipe Diameter | mm | Φ7 |
| | Evaporator Row-fin Gap | mm | 2-1.4 |
| | Evaporator Coil Length (L × D × W) | mm | 745 × 25.4 × 342.9 |
| | Swing Motor Model | - | MP24HF/MP24AK/MP24BA |
| | Swing Motor Power Output | W | 1.5/1.5/1.5 |
| | Fuse Current | A | 3.15A |
| | Sound Pressure Level | dB (A) | Cooling: 49/43/41/40/37/33/29 Heating: 49/43/41/39/36/32/28 |
| | Sound Power Level | dB (A) | Cooling: 49/43/51/50/47/43/39 Heating: 59/53/51/49/46/42/38 |
| | Dimension (W × H × D) | inch | 38 21/32 × 12 1/4 × 8 45/64 |
| | Dimension of Carton Box (L × W × H) | inch | 40 29/32 × 14 27/32 × 11 19/64 |
| | Dimension of Package (L × W × H) | inch | 41 7/64 × 15 5/32 × 11 11/16 |
| | Net Weight | lb | 28.7 |
| Gross Weight | lb | 35.3 | |

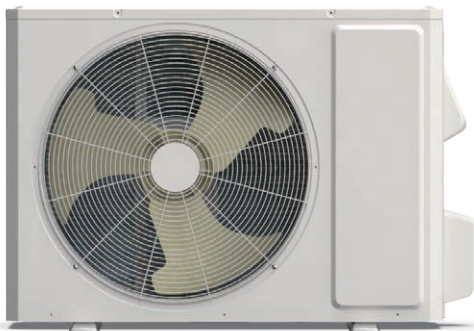
Job Name:

Schedule Reference:

Date:



Model: TWH18AG25A2D



| Outdoor Unit Model | | TWH18AG25A2DO | |
|--|---|-------------------------------|----------------------------------|
| Outdoor Unit | Compressor Manufacturer | - | ZHUHAI LANDA COMPRESSOR CO. LTD. |
| | Compressor Model | - | QXF-M130zF170 |
| | Compressor Oil | - | FW68DA or equivalent |
| | Compressor Type | - | Rotary |
| | Compressor LRA. | A | / |
| | Compressor RLA | A | 9.6 |
| | Compressor Power Input | W | 1196 |
| | Compressor Overload Protector | - | / |
| | Throttling Method | - | Electron expansion valve |
| | Set Temperature Range | °F | 61~86 |
| | Cooling Operation Ambient Temperature Range | °F | -20~122 |
| | Heating Operation Ambient Temperature Range | °F | -22~86 |
| | Condenser Form | - | Aluminum Fin-copper Tube |
| | Condenser Pipe Diameter | mm | Φ7 |
| | Condenser Rows-fin Gap | mm | 2-1.4 |
| | Condenser Coil Length (L × D × W) | mm | 890 × 38.1 × 616 |
| | Fan Motor Speed | rpm | 850 |
| | Fan Motor Power Output | W | 60 |
| | Fan Motor RLA | A | 1.25 |
| | Fan Motor Capacitor | μF | / |
| | Outdoor Unit Air Flow Volume | CFM | 2119 |
| | Fan Type | - | Axial-flow |
| | Fan Diameter | mm | Φ520 |
| | Defrosting Method | - | Automatic Defrosting |
| | Climate Type | - | T1 |
| | Isolation | - | I |
| | Moisture Protection | - | IPX4 |
| | Permissible Excessive Operating Pressure for the Discharge Side | MPa | 4.3 |
| | Permissible Excessive Operating Pressure for the Suction Side | MPa | 2.5 |
| | Sound Pressure Level | dB (A) | 59 |
| | Sound Power Level | dB (A) | 69 |
| | Dimension (W × H × D) | inch | 37 23/32 × 25 63/64 × 15 53/64 |
| Dimension of Carton Box (L × W × H) | inch | 40 33/64 × 17 53/64 × 28 5/32 | |
| Dimension of Package (L × W × H) | inch | 40 5/8 × 17 61/64 × 29 1/64 | |
| Net Weight | lb | 98.1 | |
| Gross Weight | lb | 106.943 | |
| Refrigerant | - | R410A | |
| Refrigerant Charge | oz | 53 | |
| Connection Pipe | Connection Pipe Length | ft | 24.6 |
| | Connection Pipe Gas Additional Charge | oz/ft | 0.125 |
| | Outer Diameter Liquid Pipe | inch | 1/4 |
| | Outer Diameter Gas Pipe | inch | 5/8 |
| | Max Distance Height | ft | 32.8 |
| | Max Distance Length | ft | 82 |
| Note: The connection pipe applies metric diameter. | | | |

The above data is subject to change without notice. Please refer to the nameplate of the unit.

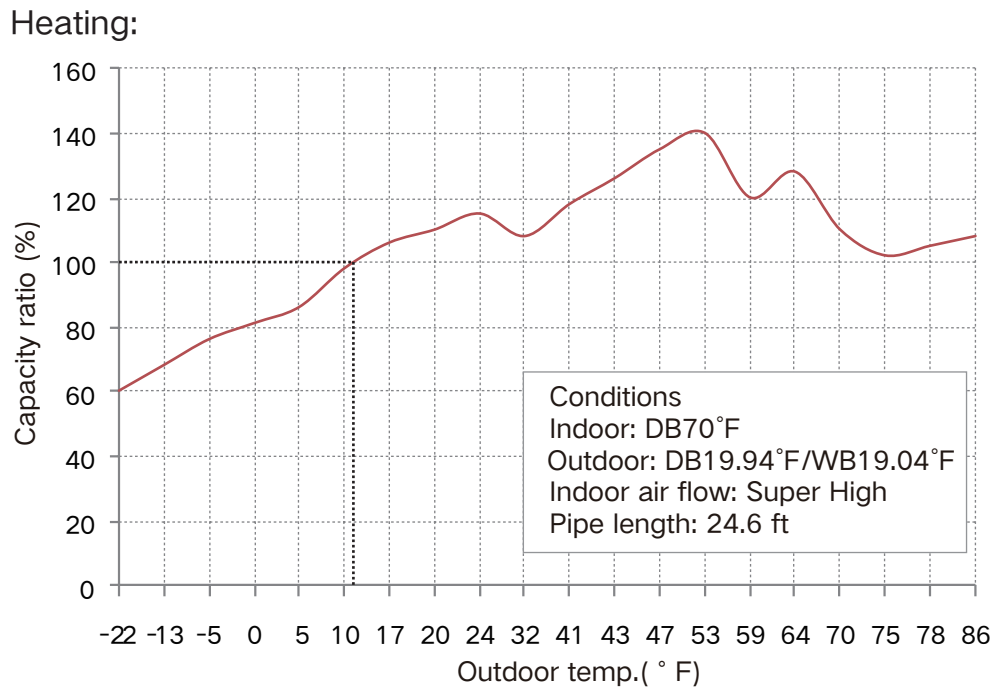
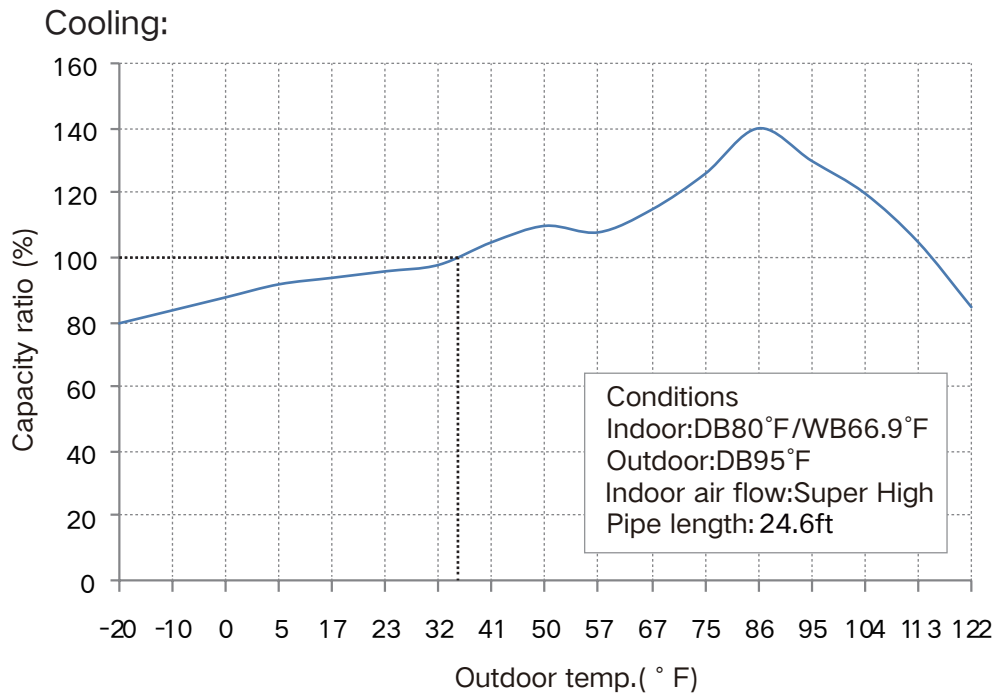
Job Name:

Schedule Reference:

Date:

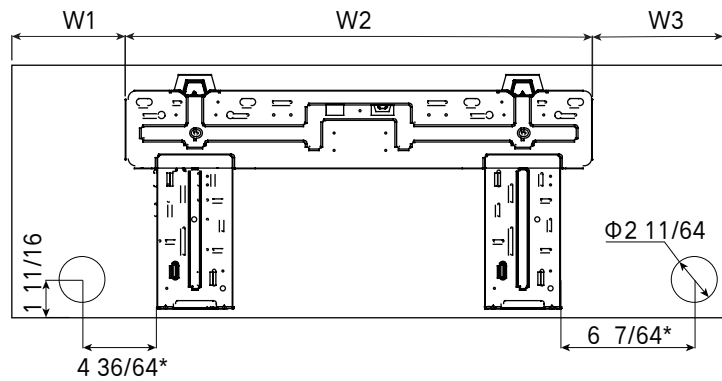
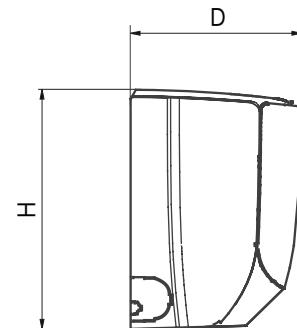
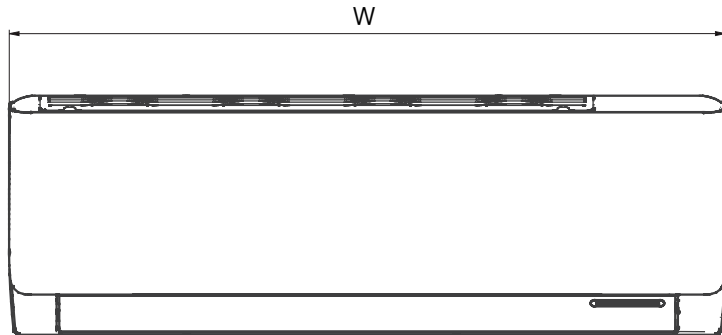


Capacity Variation Ratio According to Temperature





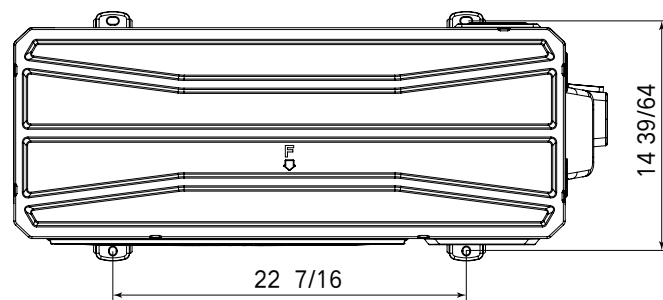
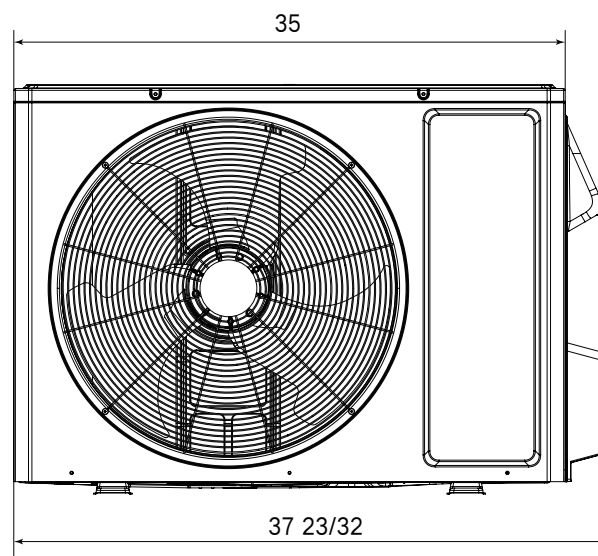
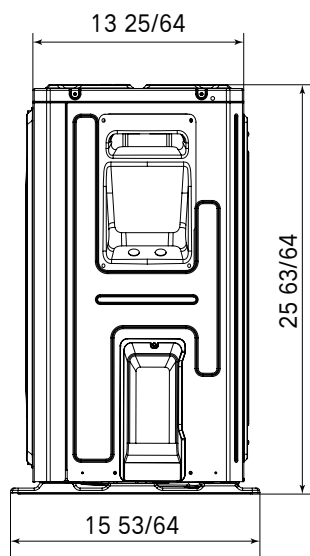
Outline Dimension Diagram



Unit: inch

| Model | W | H | D |
|-------|----------|----------|---------|
| AGC | 32 31/64 | 11 17/32 | 7 23/32 |
| | W1 | W2 | W3 |
| | 4 29/64 | 21 11/32 | 6 11/16 |

* Recommending distances



Unit: inch



Installation Dimension Diagram

