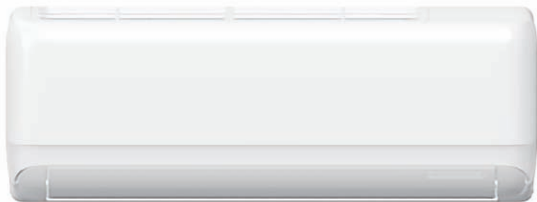




SPLIT TYPE

SUBMITTAL

Model: TWH12ATCXB-A3DNA3C



Model		TWH12ATCXB-A3DNA3C	
Power Supply	Rated Voltage	V~	115
	Rated Frequency	Hz	60
	Phases	-	1
Power Supply Mode		-	Outdoor
Cooling Capacity		Btu/h	12000
Heating Capacity		Btu/h	12000
Cooling Power Input		W	1380
Heating Power Input		W	1004
Cooling Current		A	15
Heating Current		A	10.9
Rated Input		W	1650
Rated Current		A	17.9
EER		(Btu/h)/W	8.7
COP		(Btu/h)/W	11.95
SEER		-	17.5(SEER) 17.5(SEER2)
HSPF		-	10(HSPF) 8.5(HSPF2)
Air Flow Volume		CFM	424/353/324/277/247/224/182
Dehumidifying Volume		Pint/d	2.96
Application Area		yd ²	19-29
Indoor Unit Model		TWH12ATCXB-A3DNA3CI	
Indoor Unit	Fan Type	-	Cross-flow
	Fan Diameter Length(D × L)	mm	Φ94 × 630
	Cooling Speed	r/min	1550/1200/1120/1050/980/920/750/500
	Heating Speed	r/min	1450/1200/1140/1080/1020/960/900/-
	Fan Motor Power Output	W	15
	Fan Motor RLA	A	0.40
	Fan Motor Capacitor	μF	/
	Heater Power Input	W	/
	Evaporator Form	-	Aluminum Fin-copper Tube
	Evaporator Pipe Diameter	mm	Φ5
	Evaporator Row-fin Gap	mm	2-1.3
	Evaporator Coil Length (L × D × W)	mm	634 × 22.8 × 266.7
	Swing Motor Model	-	MP24HF
	Swing Motor Power Output	W	1.5
	Fuse Current	A	3.15
	Sound Pressure Level	dB(A)	Cooling:47/39/38/35/33/32/27 Heating:44/39/37/36/34/32/30
	Sound Power Level	dB(A)	Cooling:57/49/48/45/43/42/37 Heating:54/49/47/46/44/42/40
	Dimension (W × H × D)	inch	32 7/8 × 10 53/64 × 7 7/8
	Package Carton Dimension (L × W × H)	inch	35 3/64 × 12 61/64 × 10 15/64
	Package Dimension (L × W × H)	inch	35 15/64 × 13 37/64 × 10 43/64
	Net Weight	lb	19.8
	Gross Weight	lb	24.3

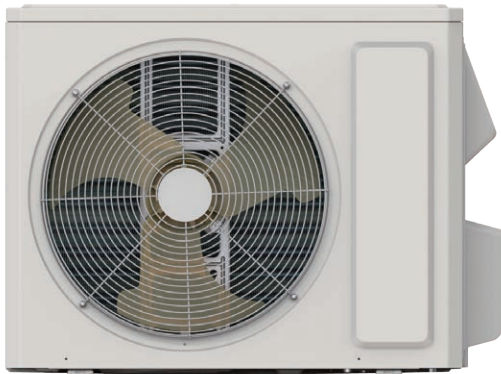
Job Name:

Schedule Reference:

Date:



Model: TWH12ATCXB-A3DNA3C



Outdoor Unit Model		TWH12ATCXB-A3DNA3CO	
Outdoor Unit	Compressor Manufacturer	-	ZHUHAI LANDA COMPRESSOR CO.,LTD
	Compressor Model	-	FTz-AN108ACBD
	Compressor Oil	-	FW68DA or equivalent
	Compressor Type	-	Rotary
	Compressor LRA.	A	/
	Compressor RLA	A	15.10
	Compressor Power Input	W	857
	Compressor Overload Protector	-	/
	Fan Type	-	Axial-flow
	Fan Diameter	mm	Φ400
	Fan Motor Speed	rpm	900
	Fan Motor Power Output	W	30
	Fan Motor RLA	A	0.70
	Fan Motor Capacitor	μF	/
	Outdoor Unit Air Flow Volume	CFM	1148
	Condenser Form	-	Aluminum Fin-copper Tube
	Condenser Pipe Diameter	mm	Φ5
	Condenser Rows-fin Gap	mm	1-1.2
	Condenser Coil Length (L × D × W)	mm	677 × 19.05 × 528
	Permissible Excessive Operating Pressure for the Discharge Side	MPa	4.3
	Permissible Excessive Operating Pressure for the Suction Side	MPa	2.5
	Maximum Allowable Pressure	MPa	4.3
	Set Temperature Range	°F	61~86
	Cooling Operation Ambient Temperature Range	°F	0~115
	Heating Operation Ambient Temperature Range	°F	-4~75
	Throttling Method	-	Capillary
	Defrosting Method	-	Automatic Defrosting
	Climate Type	-	T1
	Isolation	-	I
	Moisture Protection	-	IPX4
	Sound Pressure Level	dB (A)	52
	Sound Power Level	dB (A)	62
	Dimension (W × H × D)	inch	28 13/16 × 21 27/32 × 12 63/64
	Dimension of Carton Box (L × W × H)	inch	31 9/64 × 14 11/16 × 23 15/64
	Dimension of Package(L × W × H)	inch	31 17/64 × 14 51/64 × 24 7/32
	Net Weight	lb	59.5
	Gross Weight	lb	65.0
	Refrigerant	-	R410A
	Refrigerant Charge	oz	0.7
	Connection Pipe	Length	ft
Gas Additional Charge		oz/ft	0.22
Outer Diameter Liquid Pipe		inch	1/4
Outer Diameter Gas Pipe		inch	3/8
Max. Height Distance		ft	32.8
Max. Length Distance		ft	65.6

Note: The connection pipe applies metric diameter.

The above data is subject to change without notice. Please refer to the nameplate of the unit.

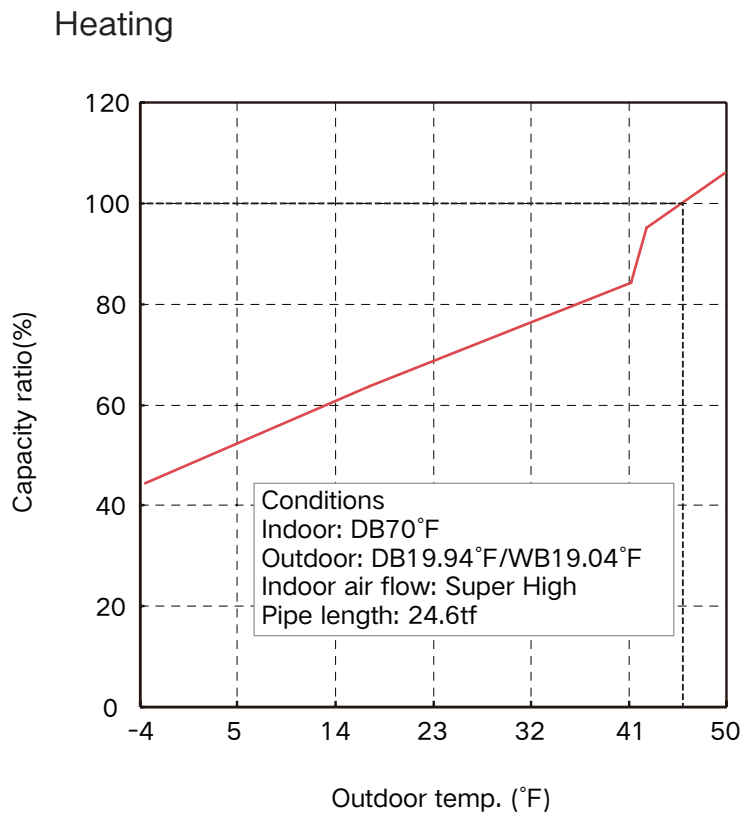
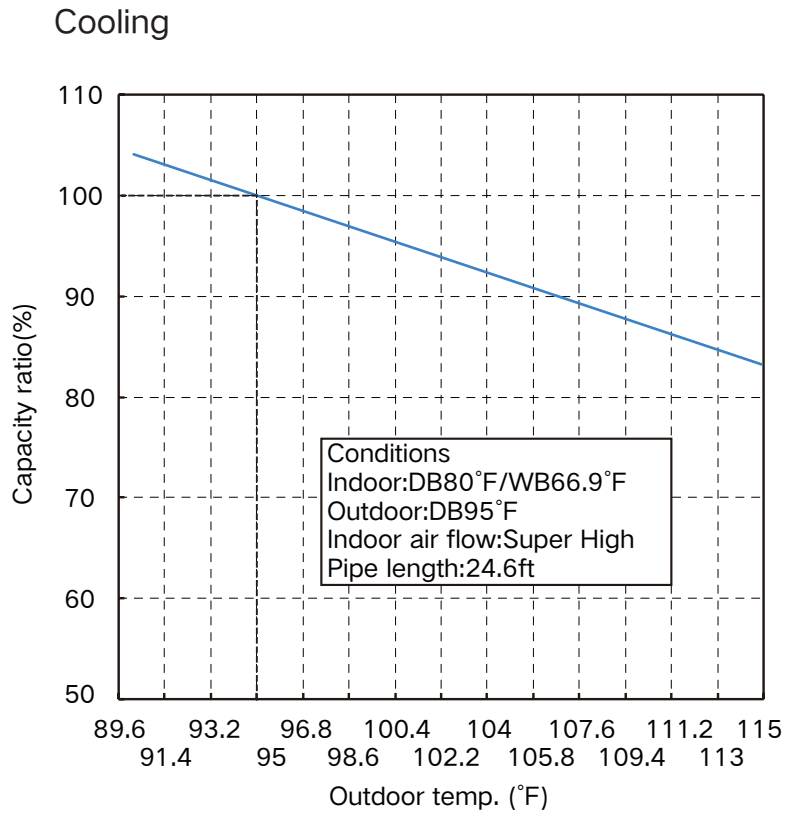
Job Name:

Schedule Reference:

Date:

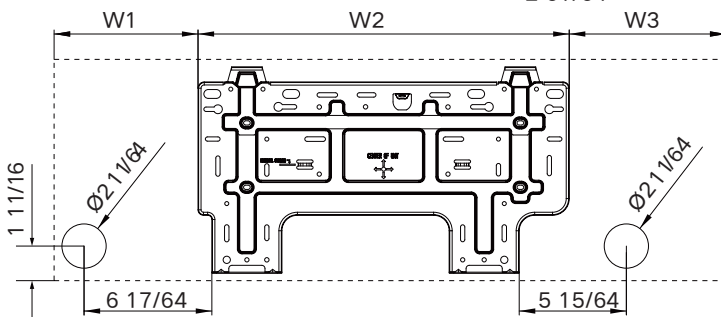
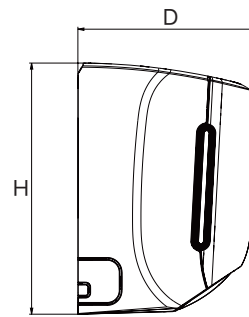
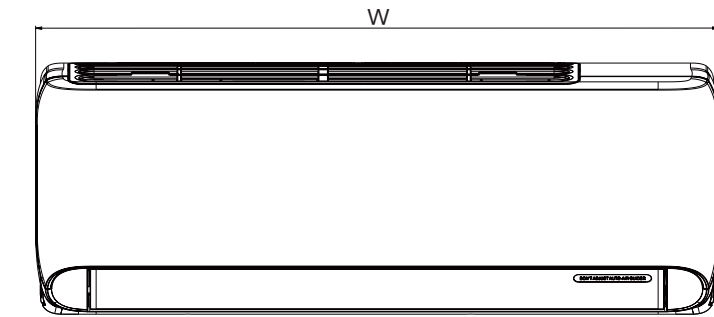


Capacity Variation Ratio According to Temperature



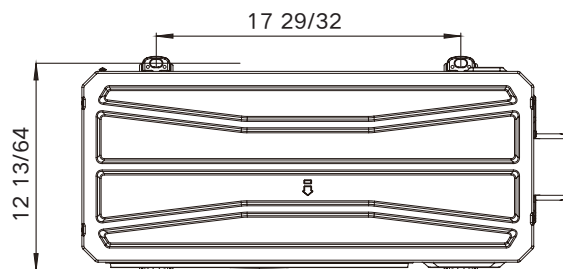
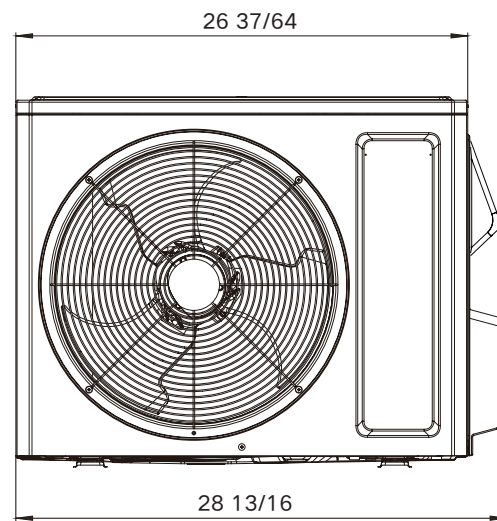
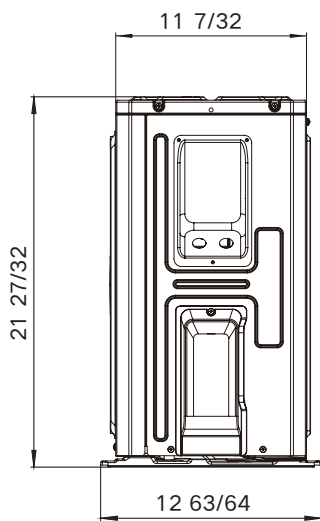


Outline Dimension Diagram



Unit: inch

Model	W	H	D
ATC	32 7/8	10 53/64	7 7/8
	W1	W2	W3
	7 3/64	18 5/32	7 11/16



Unit:inch



Installation Dimension Diagram

