



## SPLIT TYPE

## SUBMITTAL

### Model: TWH36QF25B4D



Model		TWH36QF25B4D	
Power Supply	Rated Voltage	V~	208/230
	Rated Frequency	Hz	60
	Phases	-	1
Power Supply Mode		-	Outdoor
Cooling Capacity		Btu/h	33600
Heating Capacity		Btu/h	34600
Cooling Power Input		W	3200
Heating Power Input		W	3200
Cooling Power Current		A	14
Heating Power Current		A	14
Rated Input		W	4000
Rated Cooling Current		A	20
Rated Heating Current		A	18
Air Flow Volume		CFM	912/736/706/647/588/530/471
Dehumidifying Volume		Pint/h	7.40
EER		(Btu/h)/W	10.50
COP		(Btu/h)/W	10.81
SEER		-	20
HSPF		-	9
Application Area		yd <sup>2</sup>	55-86.11
Model of indoor unit		TWH36QF25B4DI	
Indoor Unit	Fan Type	-	Cross-flow
	Fan Diameter Length(D × L)	mm	Φ 108 × 522.7 × 2
	Cooling Speed	r/min	1550/1300/1200/1100/1000/950/850
	Heating Speed	r/min	1500/1300/1200/1100/1000/950/900
	Fan Motor Power Output	W	70
	Fan Motor RLA	A	0.75
	Fan Motor Capacitor	μF	/
	Evaporator Form	-	Aluminum Fin-copper Tube
	Evaporator Pipe Diameter	mm	Φ 7
	Evaporator Row-fin Gap	mm	2-1.4
	Evaporator Coil Length (L × D × W)	mm	1074 × 25.4 × 381
	Swing Motor Model	-	MP24BA
	Swing Motor Power Output	W	1.5
	Fuse Current	A	5
	Sound Pressure Level	dB (A)	Cooling: 56/50/47/45/42/40/37 Heating: 55/50/48/45/42/40/39
	Sound Power Level	dB (A)	Cooling: 66/60/57/55/52/50/47 Heating: 65/60/58/55/52/50/49
	Dimension (W × H × D)	inch	53 9/64 × 12 53/64 × 9 61/64
Dimension of Carton Box (L × W × H)	inch	56 39/64 × 16 29/64 × 13 55/64	
Dimension of Package (L × W × H)	inch	56 47/64 × 16 37/64 × 14 7/16	
Net Weight	lb	44.1	
Gross Weight	lb	54.0	

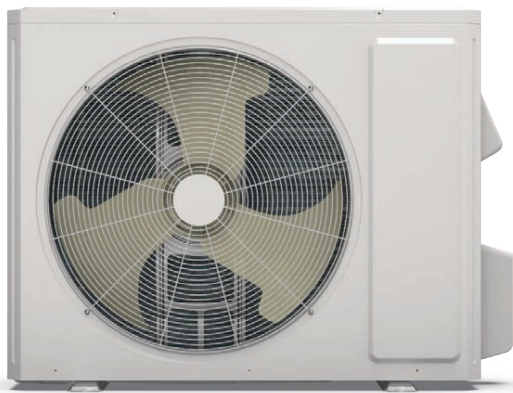
Job Name:

Schedule Reference:

Date:



## Model: TWH36QF25B4D



Outdoor Unit Model		TWH36QF25B4DO	
Outdoor Unit	Compressor Manufacturer	-	ZHUHAI LANDA COMPRESSOR CO., LTD.
	Compressor Model	-	QXFS-D280zX070
	Compressor Oil	-	FW68DA or equivalent
	Compressor Type	-	Rotary
	Compressor LRA.	A	40.00
	Compressor RLA	A	16.00
	Compressor Power Input	W	2294
	Compressor Overload Protector	-	/
	Throttling Method	-	Electron expansion valve
	Set Temperature Range	°F	61~86
	Cooling Operation Ambient Temperature Range	°F	-4~122
	Heating Operation Ambient Temperature Range	°F	-13~75
	Condenser Form	-	Aluminum Fin-copper Tube
	Condenser Pipe Diameter	mm	Φ7.94
	Condenser Rows-fin Gap	mm	2-1.4
	Condenser Coil Length (L × D × W)	mm	955 × 38.1 × 704
	Fan Motor Speed	rpm	850
	Fan Motor Power Output	W	90
	Fan Motor RLA	A	1.50
	Fan Motor Capacitor	μF	/
	Outdoor Unit Air Flow Volume	CFM	2648
	Fan Type	-	Axial-flow
	Fan Diameter	mm	Φ570
	Defrosting Method	-	Automatic Defrosting
	Climate Type	-	T1
	Isolation	-	I
	Moisture Protection	-	IPX4
	Permissible Excessive Operating Pressure for the Discharge Side	MPa	4.3
	Permissible Excessive Operating Pressure for the Suction Side	MPa	2.5
	Sound Pressure Level (H/M/L)	dB (A)	62/-/-
	Sound Power Level (H/M/L)	dB (A)	72/-/-
	Dimension(W × H × D)	inch	39 3/8 × 29 3/8 × 16 13/16
	Dimension of Carton Box (L × W × H)	inch	42 26/64 × 18 57/64 × 30 58/64
Dimension of Package(L × W × H)	inch	42 33/64 × 19 1/64 × 31 57/64	
Net Weight	lb	127.9	
Gross Weight	lb	138.9	
Refrigerant	-	R410A	
Refrigerant Charge	oz	84.7	
Connection Pipe	Connection Pipe Length	ft	24.6
	Connection Pipe Gas Additional Charge	oz/ft	0.5
	Outer Diameter Liquid Pipe	inch	1/4"
	Outer Diameter Gas Pipe	inch	5/8"
	Max Distance Height	ft	32.8
	Max Distance Length	ft	82.0
Note: The connection pipe applies metric diameter.			

The above data is subject to change without notice. Please refer to the nameplate of the unit.

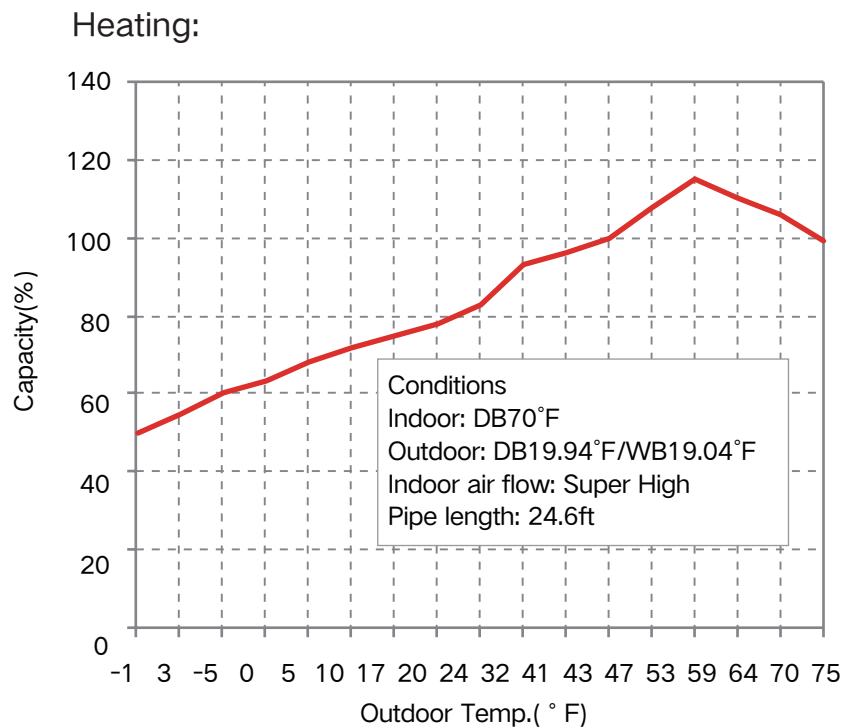
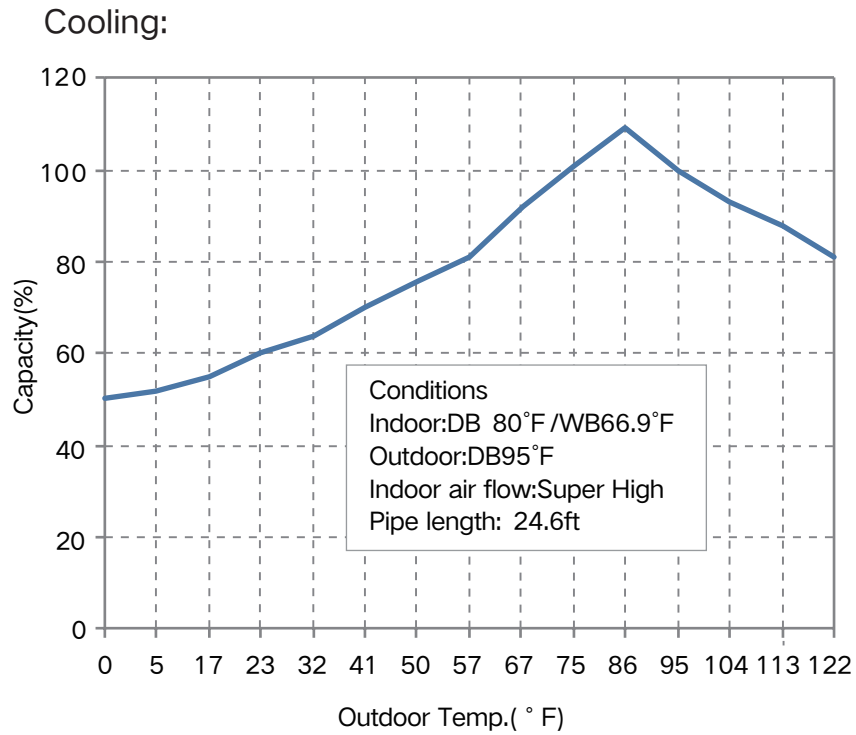
Job Name:

Schedule Reference:

Date:

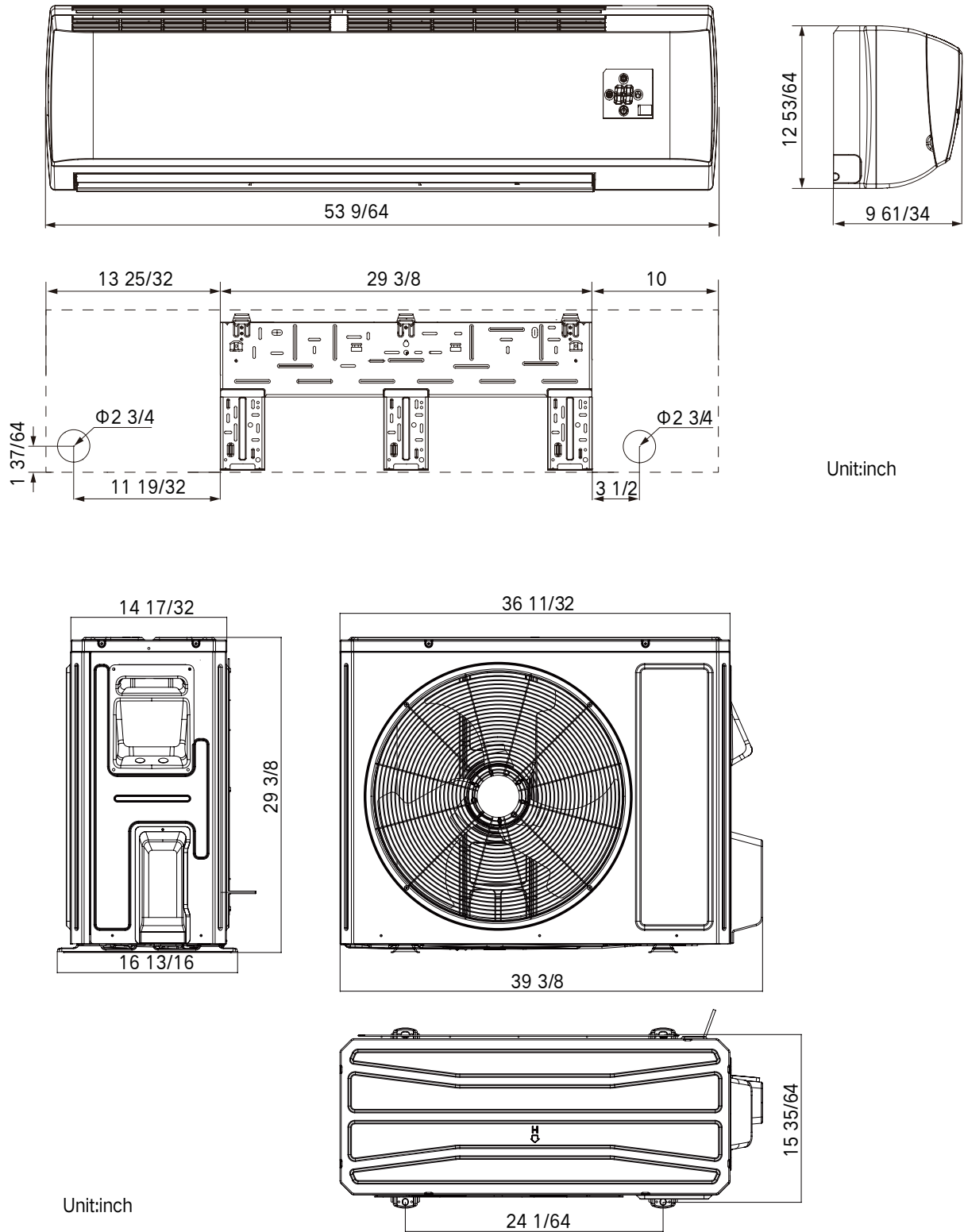


## Capacity Variation Ratio According to Temperature





## Outline Dimension Diagram





# TOSOT

## Installation Dimension Diagram

