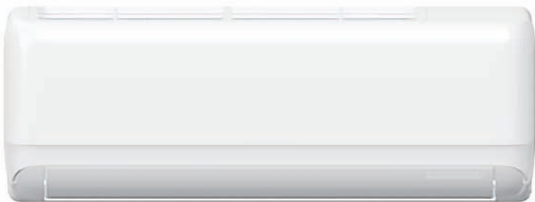




SPLIT TYPE

SUBMITTAL

Model: TWH12ATCXB-D3DNA3C



| Model | | TWH12ATCXB-D3DNA3C | |
|----------------------|--------------------------------------|---------------------|--|
| Power Supply | Rated Voltage | V~ | 208/230 |
| | Rated Frequency | Hz | 60 |
| | Phases | - | 1 |
| Power Supply Mode | | - | Outdoor |
| Cooling Capacity | | Btu/h | 12000 |
| Heating Capacity | | Btu/h | 12000 |
| Cooling Power Input | | W | 1380 |
| Heating Power Input | | W | 1004 |
| Cooling Current | | A | 6.2 |
| Heating Current | | A | 4.5 |
| Rated Input | | W | 1650 |
| Rated Current | | A | 6.2 |
| EER | | (Btu/h)/W | 8.7 |
| COP | | (Btu/h)/W | 11.95 |
| SEER | | - | 17.5(SEER) 17.5(SEER2) |
| HSPF | | - | 10(HSPF) 8.5(HSPF2) |
| Air Flow Volume | | CFM | 424/353/324/277/247/224/182 |
| Dehumidifying Volume | | Pint/d | 2.96 |
| Application Area | | yd ² | 19-29 |
| Indoor Unit Model | | TWH12ATCXB-D3DNA3CI | |
| Indoor Unit | Fan Type | - | Cross-flow |
| | Fan Diameter Length(D × L) | mm | Φ94 × 630 |
| | Cooling Speed | r/min | 1550/1200/1120/1050/980/920/750 |
| | Heating Speed | r/min | 1450/1200/1140/1080/1020/960/900 |
| | Fan Motor Power Output | W | 15 |
| | Fan Motor RLA | A | 0.40 |
| | Fan Motor Capacitor | μ F | / |
| | Heater Power Input | W | / |
| | Evaporator Form | - | Aluminum Fin-copper Tube |
| | Evaporator Pipe Diameter | mm | Φ5 |
| | Evaporator Row-fin Gap | mm | 2-1.3 |
| | Evaporator Coil Length (L × D × W) | mm | 634 × 22.8 × 266.7 |
| | Swing Motor Model | - | MP24HF |
| | Swing Motor Power Output | W | 1.5 |
| | Fuse Current | A | 3.15 |
| | Sound Pressure Level | dB (A) | Cooling:47/39/38/35/33/32/27 Heating:44/39/37/36/34/32/30 |
| | Sound Power Level | dB (A) | Cooling:57/49/48/45/43/42/37 Heating:54/49/47/46/44/42/40 |
| | Dimension (W × H × D) | inch | 32 5/64 × 10 53/64 × 7 7/8 |
| | Package Carton Dimension (L × W × H) | inch | 35 3/64 × 12 61/64 × 10 15/64 |
| | Package Dimension (L × W × H) | inch | 35 15/64 × 13 37/64 × 10 43/64 |
| | Net Weight | lb | 19.8 |
| Gross Weight | lb | 24.3 | |

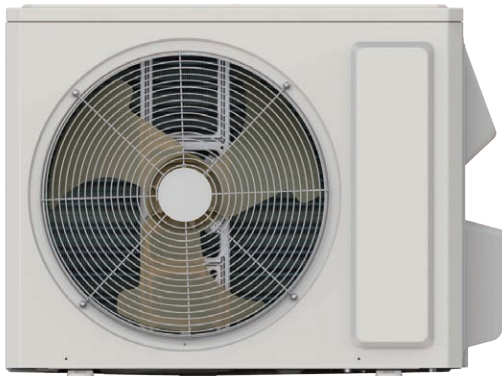
Job Name:

Schedule Reference:

Date:



Model: TWH12ATCXB-D3DNA3C



| Outdoor Unit Model | | TWH12ATCXB-D3DNA3CO | |
|--|---|-------------------------------|---------------------------------|
| Outdoor Unit | Compressor Manufacturer | - | ZHUHAI LANDA COMPRESSOR CO.,LTD |
| | Compressor Model | - | FTz-AN108ACBD |
| | Compressor Oil | - | FW68DA or equivalent |
| | Compressor Type | - | Rotary |
| | Compressor LRA. | A | / |
| | Compressor RLA | A | 7.30 |
| | Compressor Power Input | W | 857 |
| | Compressor Overload Protector | - | / |
| | Fan Type | - | Axial-flow |
| | Fan Diameter | mm | Φ400 |
| | Fan Motor Speed | rpm | 900 |
| | Fan Motor Power Output | W | 30 |
| | Fan Motor RLA | A | 0.60 |
| | Fan Motor Capacitor | μF | / |
| | Outdoor Unit Air Flow Volume | CFM | 1148 |
| | Condenser Form | - | Aluminum Fin-copper Tube |
| | Condenser Pipe Diameter | mm | Φ5 |
| | Condenser Rows-fin Gap | mm | 1-1.2 |
| | Condenser Coil Length (L × D × W) | mm | 677 × 19.05 × 528 |
| | Permissible Excessive Operating Pressure for the Discharge Side | MPa | 4.3 |
| | Permissible Excessive Operating Pressure for the Suction Side | MPa | 2.5 |
| | Maximum Allowable Pressure | MPa | 4.3 |
| | Set Temperature Range | °F | 61~86 |
| | Cooling Operation Ambient Temperature Range | °F | 0~115 |
| | Heating Operation Ambient Temperature Range | °F | -4~75 |
| | Throttling Method | - | Capillary |
| | Defrosting Method | - | Automatic Defrosting |
| | Climate Type | - | T1 |
| | Isolation | - | I |
| | Moisture Protection | - | IPX4 |
| | Sound Pressure Level | dB (A) | 52 |
| | Sound Power Level | dB (A) | 62 |
| | Dimension (W × H × D) | inch | 28 13/16 × 21 27/32 × 12 63/64 |
| Dimension of Carton Box (L × W × H) | inch | 31 9/64 × 14 11/16 × 23 15/64 | |
| Dimension of Package(L × W × H) | inch | 31 17/64 × 14 51/64 × 24 7/32 | |
| Net Weight | lb | 57.33 | |
| Gross Weight | lb | 62.842 | |
| Refrigerant | - | R410A | |
| Refrigerant Charge | oz | 27.5 | |
| Connection Pipe | Length | ft | 24.6 |
| | Gas Additional Charge | oz/ft | 0.22 |
| | Outer Diameter Liquid Pipe | inch | 1/4 |
| | Outer Diameter Gas Pipe | inch | 3/8 |
| | Max. Height Distance | ft | 32.8 |
| | Max. Length Distance | ft | 65.6 |
| Note: The connection pipe applies metric diameter. | | | |

The above data is subject to change without notice. Please refer to the nameplate of the unit.

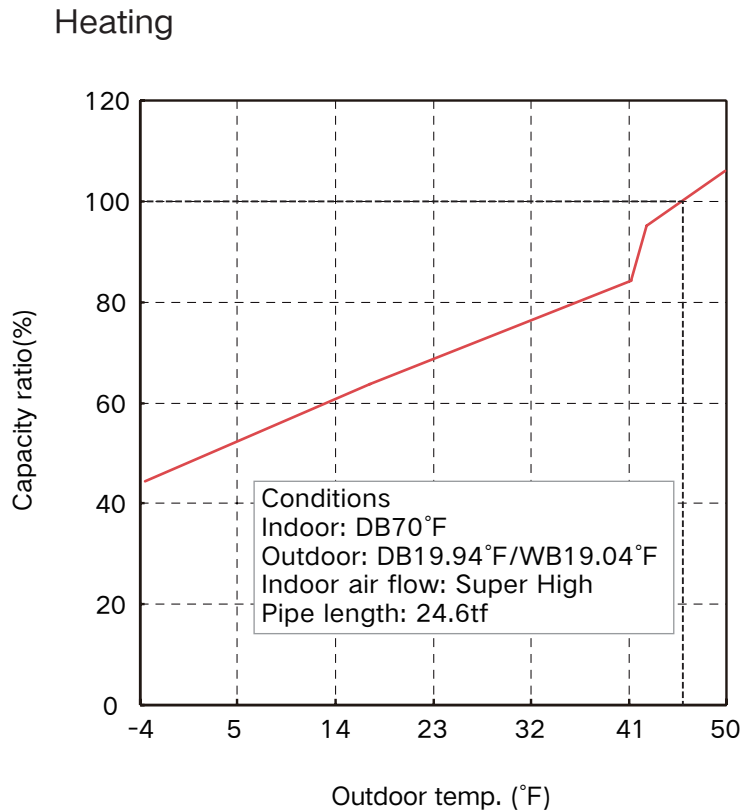
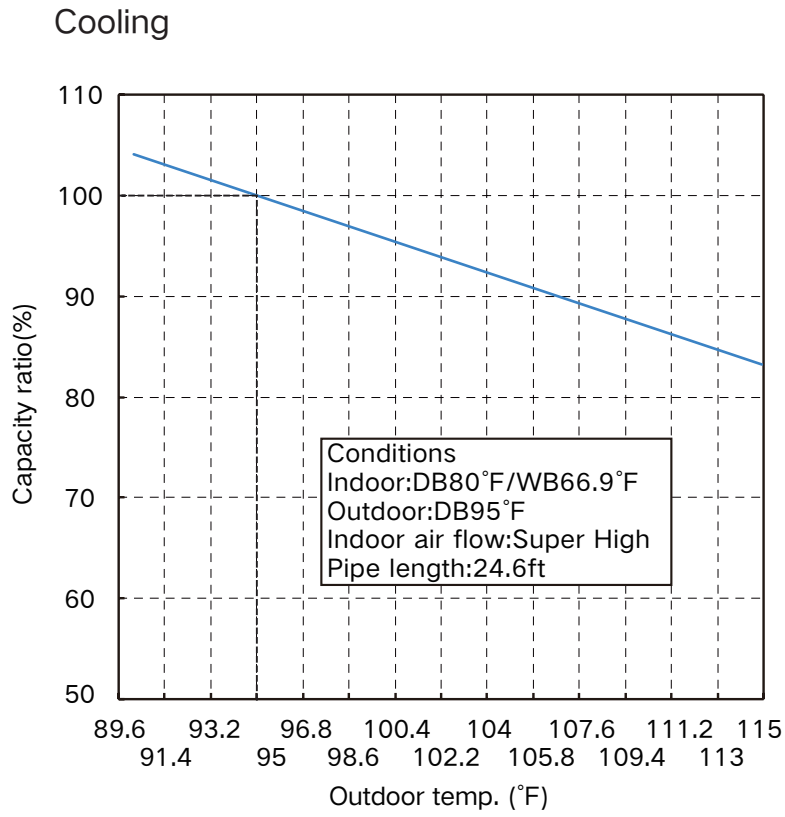
Job Name:

Schedule Reference:

Date:

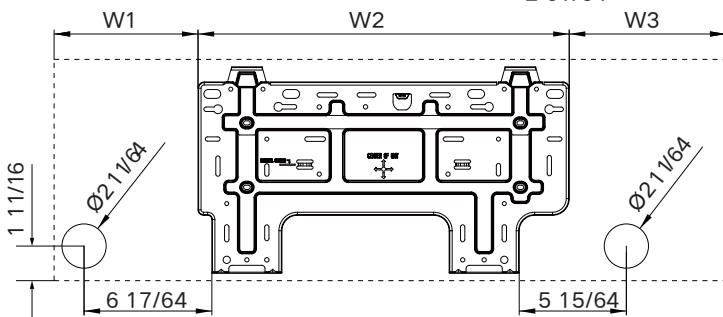
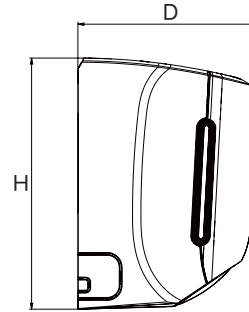
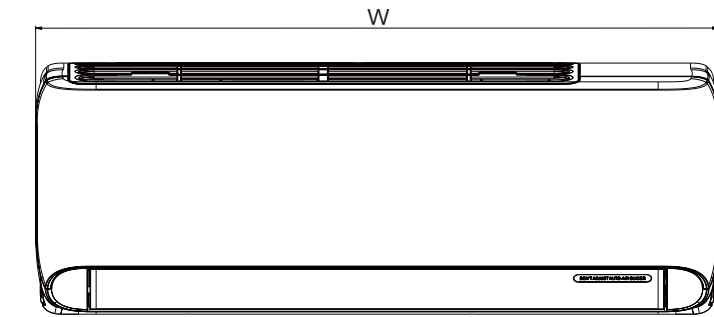


Capacity Variation Ratio According to Temperature



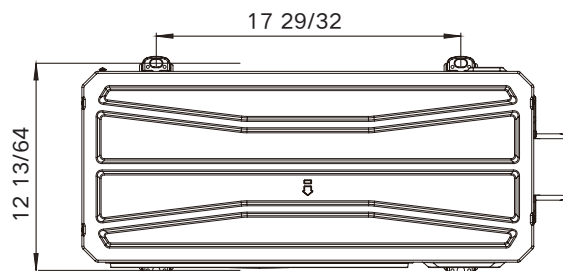
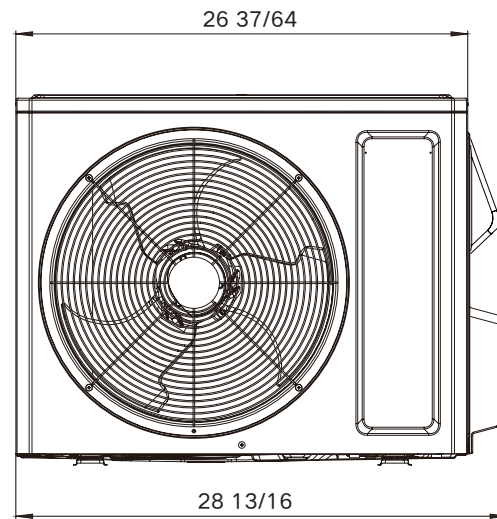
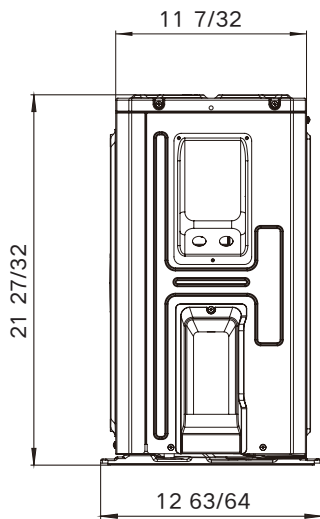


Outline Dimension Diagram



Unit: inch

| Model | W | H | D |
|-------|--------|----------|---------|
| ATC | 32 7/8 | 10 53/64 | 7 7/8 |
| | W1 | W2 | W3 |
| | 7 3/64 | 18 5/32 | 7 11/16 |



Unit:inch



Installation Dimension Diagram

