

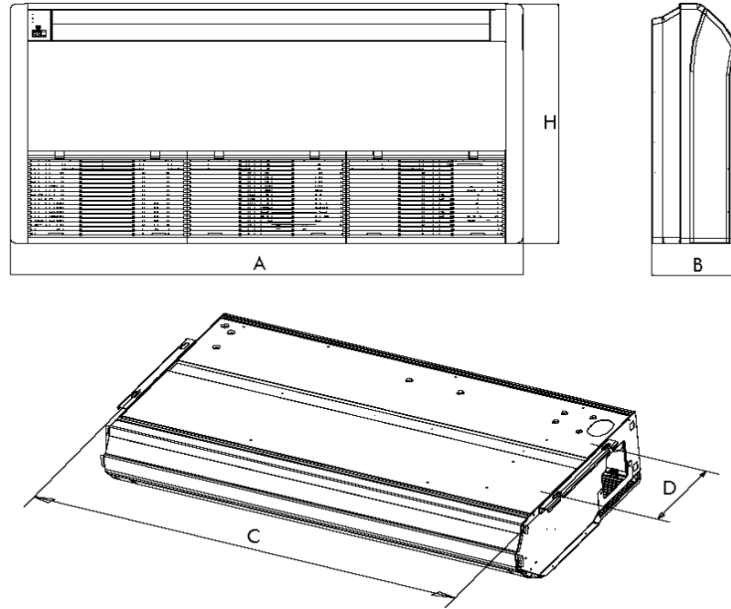
TQSDT

Submittal Data: TM09HTDI		9,000 BTU	
Job Name		Location	Date
Purchaser		Engineer	
Submitted To		For <input type="checkbox"/> Reference <input type="checkbox"/> Approval <input type="checkbox"/> Construction	
Unit Designation		Schedule No.	
GENERAL FEATURES -Floor Stand or Ceiling Mount -Quiet Operation -Multi-Speed Fan -4-way Discharge Air Flow -Swing Louvers -Remote Control Lockout -Wireless Remote Controllers -XK-19 Wired and Wireless Remote Controllers -Limited 5 yr. Parts Warranty			
System Ratings		Physical Specifications	
Cooling* Rated Capacity 8,500 BTU/H		Unit Dimensions (LxHxD) 48.0 x 27.5 x 8.9 -in	
Heating* Rated Capacity 9,500 BTU/H		Weight (Net/Shipping) 88/110 LBS	
Sound Pressure (Hi/Lo)** Cooling 40/36 dbA Heating 40/36 dbA		Drain Size (OD) 0.67-in 17-mm	
Air Flow (min/max) Indoor Fan 265/383 CFM			
Electrical Ratings		Refrigerant Piping Data	
Fan Motor Output Power 55 W FLA 0.28 A		Refrigerant Type R410A	
		Gas Pipe Size (OD) 3/8-in	
Power Supply Normal Operational Voltage 208/230 V, 1 Phase, 60 Hz Voltage Range 187 - 253 V MCA 1.0 A Interconnecting Cable Wire Size 14-4 AWG		Liquid Pipe Size (OD) 1/4-in	
		Connection Method Flared	
		* Test conditions are based on AHRI 210/240.	
		**Sound Power ratings are per AHRI 270 and AHRI 350	



9,000 BTUH MODEL

Model # F 9,000 BTUH 230V

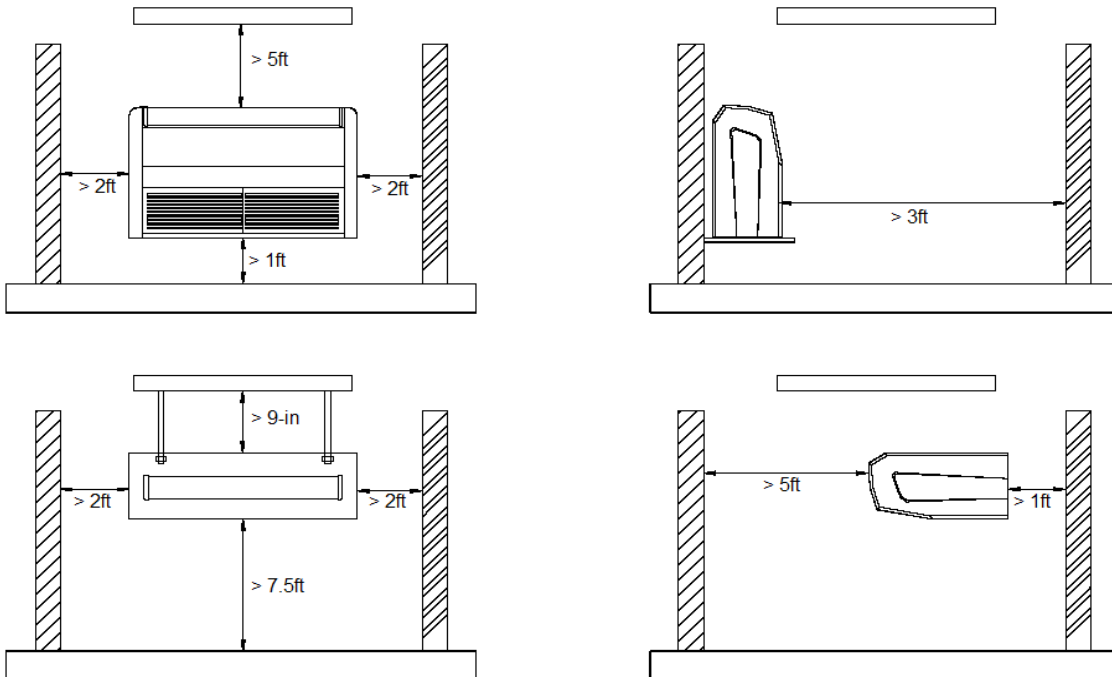


Dimensions

	A	B	C	D	H	H
(mm)	1220	225	1158	280	700	700
(inches)	48.0	8.9	45.6	11.0	27.6	27.6

Note: Size refrigerant lines based on evaporator port sizes.

MINIMUM CLEARANCE



Notes:

1. Recommended Interconnecting Cable Type Stranded Bare Copper Conductors THHN 600V Unshielded Wire
2. Power wiring cable size must comply with applicable national and local codes.
3. Test conditions are based on AHRI 210/240.