



SPLIT TYPE



SUBMITTAL

**Model:
TM36HMO**



Model		TM36HMO	
Power supply	Rated Voltage	V~	208/230
	Rated Frequency	Hz	60
	Phases	-	1
Cooling capacity		Btu/h	34000
Heating capacity		Btu/h	36000
Cooling Power Input		W	2830
Heating Power Input		W	2960
Cooling Current Input		A	12.56
Heating Current Input		A	13.13
Rated Power Input		W	4600/5200
Rated Current		A	20.41/22.61
EER		(Btu/h)/W	12.00
COP		(Btu/h)/W	12.16
SEER		-	21.00(SEER) 21.00(SEER2)
HSPF		-	10.00(HSPF) 10.00(HSPF2)
Outdoor Unit	Compressor Trademark	-	ZHUHAI LANDA COMPRESSOR CO., LTD.
	Compressor Model	-	QXFS-D280zX070C
	Compressor Refrigerant Oil Type	-	FW68DA or equivalent
	Compressor Type	-	Twin Rotary
	L.R.A	A	/
	Compressor Rated Load Amp (RLA)	A	18.2
	Compressor Power Input	W	2294
	Compressor Thermal Protector	-	KSD115°C HPC115/95U1
Throttling Method		-	Electron expansion valve

Job Name:

Schedule Reference:

Date:

Specification are subject to change without notice.



Outdoor Unit	Cooling Operation Ambient Temperature Range	°F	-22~118
	Heating Operation Ambient Temperature Range	°F	-22~75.2
	Condenser Material	-	Aluminum Fin-copper Tube
	Condenser Pipe Diameter	mm	Φ7.94
	Rows-Fin Gap(mm)	mm	3-1.6
	Coil length (l) × height (H) × coil width (L)	mm	1066 × 792 × 57.1
	Fan Motor Speed (rpm)	rpm	cooling:860 heating:860
	Output of Fan Motor	W	130
	Fan Motor RLA	A	/
	Fan Motor Capacitor	-	/
	Air Flow Volume of Outdoor Unit	CFM	3413
	Fan Type-Piece	-	Axial-flow
	Fan Diameter	mm	Φ550-205
	Defrosting Method	-	Automatic Defrosting
	Climate Type	-	T1
	Isolation	-	I
	Moisture Protection	-	IPX4
	Permissible Excessive Operating Pressure for the Discharge Side	PSIG	550
	Permissible Excessive Operating Pressure for the Suction Side	PSIG	240
	Dimension (W × D × H)	inch	40 5/32 × 16 13/16 × 32 33/64
	Dimension of Package (L × W × H)	inch	42 29/32 × 19 29/64 × 34 1/4
	Dimension of Package(L × W × H)	inch	43 1/32 × 19 9/16 × 34 27/32
	Net Weight	lb	172.0
	Gross Weight	lb	187.4
	Refrigerant Charge	-	R410A
	Refrigerant Charge	oz	130.5
	Cross-sectional Area of Power Cable Conductor	sq in	0.008215(AWG10)
	Recommended Power Cable(Core)	N	3
	Connection Pipe Connection Method	-	Flare Connection
	Not Additional Gas Connection Pipe Length	ft	131.2
	Connection Pipe Gas Additional Charge	oz/ft.	0.2
	Outer Diameter of Liquid Pipe1 (GREE Allocation)(Metric)	inch	1/4"
	Outer Diameter of Liquid Pipe2(GREE Allocation)(Metric)	inch	1/4"
	Outer Diameter of Liquid Pipe3(GREE Allocation)(Metric)	inch	1/4"
	Outer Diameter of Liquid Pipe4(GREE Allocation)(Metric)	inch	1/4"
	Outer Diameter of Gas Pipe1 (GREE Allocation)(Metric)	inch	3/8"
	Outer Diameter of Gas Pipe2(GREE Allocation)(Metric)	inch	3/8"
	Outer Diameter of Liquid Pipe3(GREE Allocation)(Metric)	inch	3/8"
	Outer Diameter of Liquid Pipe4(GREE Allocation)(Metric)	inch	3/8"
	Connection Pipe Max. Height Distance(indoor and indoor)	ft	82.0
Connection Pipe Max. Height Distance(indoor and outdoor and indoor up)	ft	82.0	
Connection Pipe Max. Height Distance(indoor and outdoor and outdoor up)	ft	82.0	
Max. equivalent connection pipe length(outdoor to last indoor)	ft	82.0	
Connection Pipe Max. Length Distance(total length)	ft	262.5	

The above data is subject to change without notice; please refer to the nameplate of the unit.

Job Name:

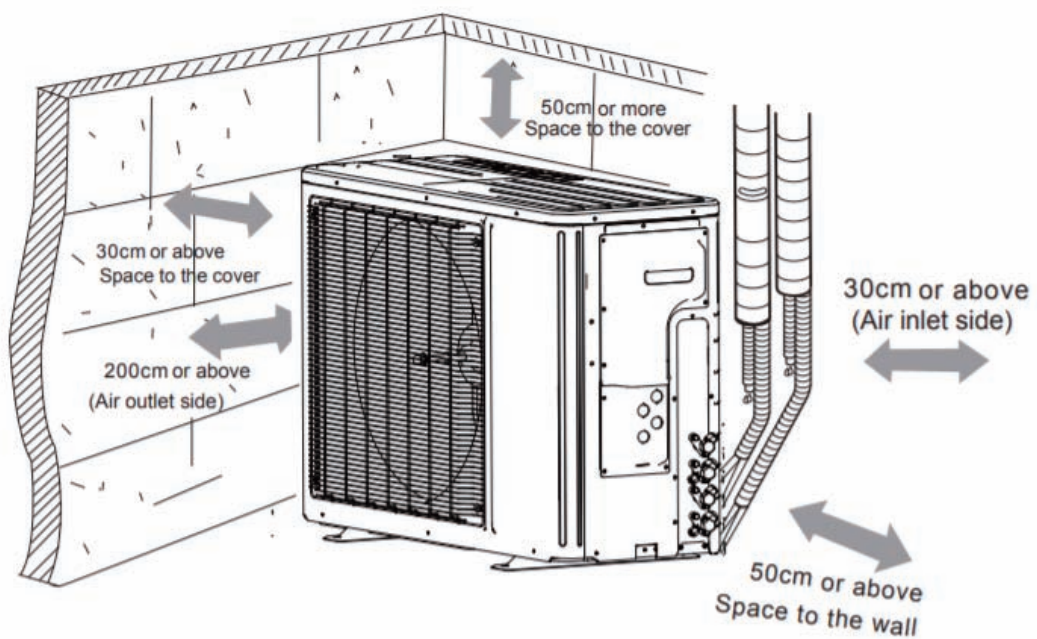
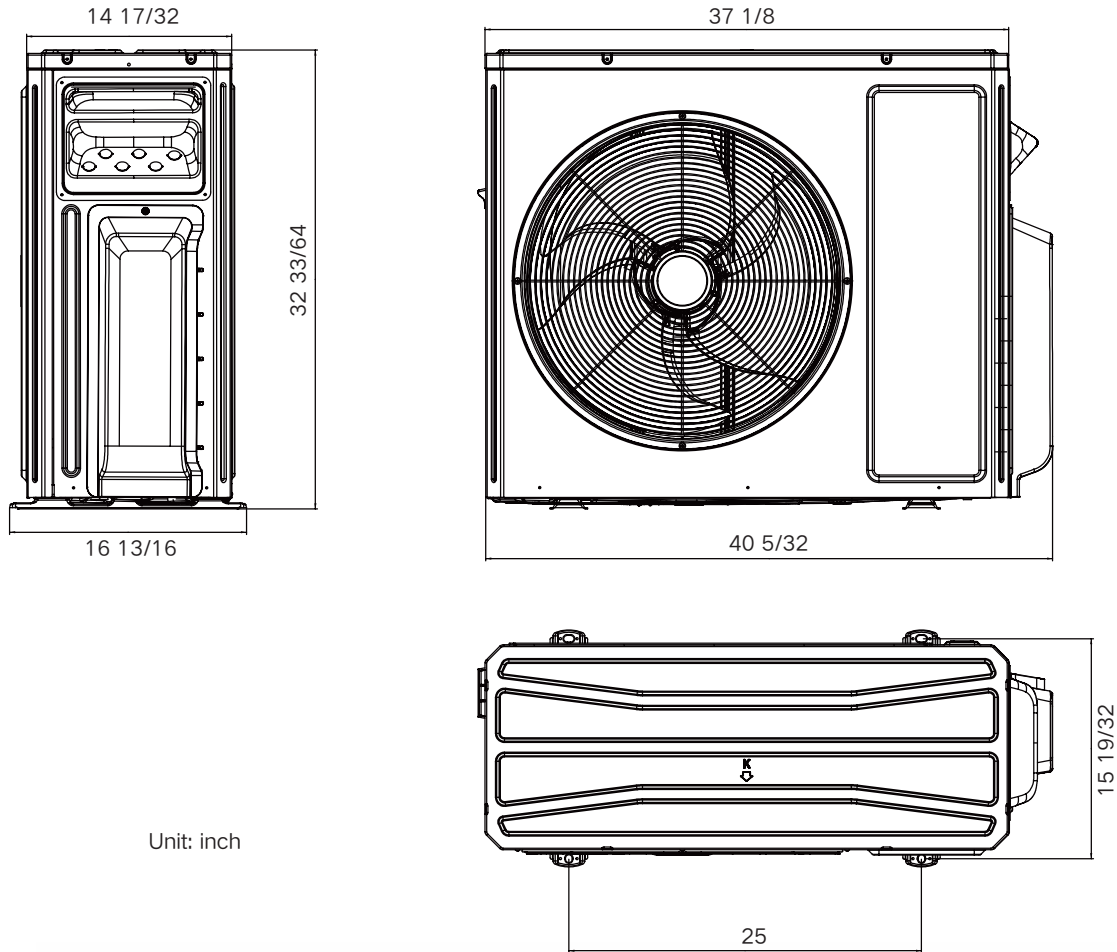
Schedule Reference:

Date:

Specification are subject to change without notice.



Outline and Physical Dimensions of TM36HMO.



TOSOT COMFORT INC.

E-mail: HI@tosotcomfort.com www.tosotcomfort.com